

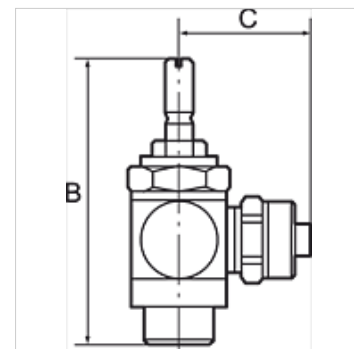
# K-DRV GEW V RAENDEL

Unidirectional flow control valves, incoming air restriction (»V«), screw connection

**HANSA FLEX**

## Vlastnosti

Provozní tlak	max. 10 bar
Teplotní rozsah	0 °C to +70 °C
Dutý šroub, výkyvné rameno, regulační šroub	Nickel-plated brass
Vnitřní součásti	Brass with a bare metal surface
Jazyčkové těsnění O-kroužku	NBR
Těsnění (neztratitelná)	Polyamide (glass fibre-reinforced)



## Upozornění

Další údaje na dotaz.

## Popis

For fine regulation of a cylinder piston speed in the forward and return motion and precise control of flow rates. Designed as a banjo-type valve with a hollow bolt and ring piece. Can be screwed directly onto the valve or cylinder. Compact type of construction, also ideal where space is restricted. On the version with a knurled screw, the set volumetric flow rate can be locked with the hexagon nut to obtain a fixed setting.

## Výrobek

Označení	Přípoj	C (mm)	Závit	SW	B (mm)
K- 07 15 25 19	M 5 female thread	11,5	M 5	8 mm	38,9
K- 07 15 05 17	G 1/8 female thread	16,0	G 1/8	14 mm	42,4
K- 07 15 05 13	G 1/4 female thread	22,0	G 1/4	17 mm	51,0
K- 07 15 25 20	G 3/8 female thread	26,0	G 3/8	20 mm	63,0