

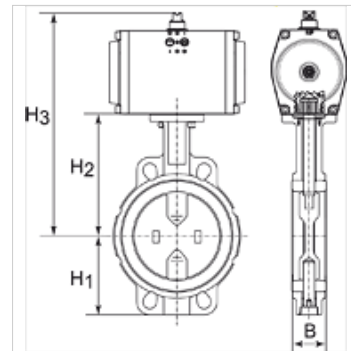
K-ZFL ABSP-KLAPPEN EINFACH

Butterfly valves, with single-acting actuator - spring to close, min. pilot pressure 5 bar

HANSA FLEX

Vlastnosti

Konstrukce	Pneumatic actuators, in double- or single acting version
Provozní tlak	Max. 16 bar
Provozní teplota	-15 °C to +120 °C
Média	Water / steam, salt water, salt water, ester, ketone, alkali, caustic soda, sodium hydroxide. Not recommended for hydrocarbons
Ovládací tlak	5.5 bar
Ventilový nástavec	Supplied as standard, operated by a 3/2- or 5/2-way valve
Úhel otáčení	90 °
Pohon	aluminium eloxed
Těsnění pohonu	NBR
Pouzdro	Grey cast iron GG25 epoxy resin coated, RAL 5015
Těsnění	EPDM
Hřídel	SS416
Těsnění hřídele	EPDM
Ovládání	



Upozornění

Další údaje na dotaz.

Výrobek

Označení	Podložka	DN	B (mm)	H1 (mm)	H2 (mm)	H3 (mm)	L (mm)
K- 07 30 03 36	Stainless Steel CF8M/1.4404	40	38,0	68,0	108,0	238,0	94,0
K- 07 30 03 37	Stainless Steel CF8M/1.4404	50	47,0	71,0	143,0	273,0	100,0
K- 07 30 03 38	Stainless Steel CF8M/1.4404	65	49,0	78,0	155,0	285,0	115,0
K- 07 30 03 39	Stainless Steel CF8M/1.4404	80	47,0	89,0	162,0	292,0	127,0
K- 07 30 03 40	Stainless Steel CF8M/1.4404	100	56,0	102,0	178,0	348,0	163,0
K- 07 30 03 42	Stainless Steel CF8M/1.4404	125	59,0	123,0	191,0	361,0	190,0
K- 07 30 03 44	Stainless Steel CF8M/1.4404	150	59,0	138,0	265,0	395,0	216,0