

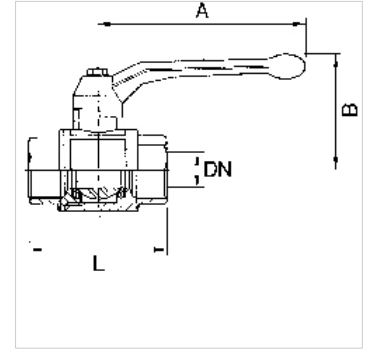
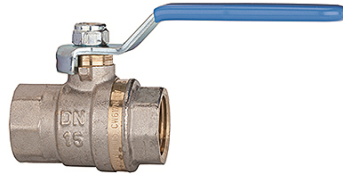
K-BKR BLAU STAHLHEBEL IG IG

Ball valves with blue steel lever, lightweight type, female/female thread

HANSA FLEX

Vlastnosti

| | |
|-------------------------|--|
| Oblast použití | Compressed air, water, non-toxic and non-corrosive gases, heating systems, agriculture |
| Provozní tlak | Max. 40 bar |
| Provozní teplota | -15 °C to +90 °C |
| Popis závitů | G thread acc. DIN EN ISO 228-1 |
| Pouzdro | Nickel-plated brass |
| Páčka | Steel, with plastic coating |
| Kulička | Chrome-plated brass |
| Utěsnění kuličky | PTFE |
| Utěsnění vřetena | HNBR / EPDM / PTFE. 2 O-Rings (HNBR / EPDM) 1 gasket (PTFE) additional PTFE-gasket |



Upozornění

Další údaje na dotaz.

Výrobek

| Označení | DN | Závit | A (mm) | B (mm) | L (mm) |
|----------------|----|---------|-----------|-----------|-----------|
| K- 07 30 00 80 | 8 | G 1/4 | 85,0 | 42,0 | 39,0 |
| K- 07 30 00 84 | 10 | G 3/8 | 85,0 | 42,0 | 43,0 |
| K- 07 30 00 88 | 15 | G 1/2 | 85,0 | 46,0 | 50,0 |
| K- 07 30 00 92 | 20 | G 3/4 | 105,0 | 53,0 | 58,0 |
| K- 07 30 00 96 | 25 | G 1 | 105,0 | 57,0 | 69,0 |
| K- 07 30 01 00 | 32 | G 1 1/4 | 130,0 | 70,0 | 81,0 |
| K- 07 30 01 04 | 40 | G 1 1/2 | 130,0 | 76,0 | 93,0 |
| K- 07 30 01 08 | 50 | G 2 | 165,0 | 92,0 | 110,0 |