

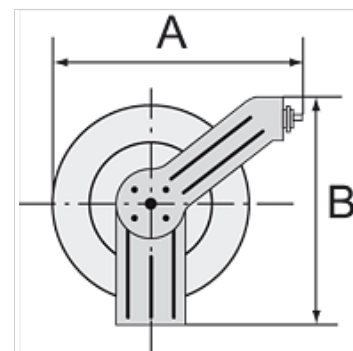
K-SCHL-AUFROLLER SCHWEISS

Hose reel, welding type

HANSA FLEX

Vlastnosti

Hadice	Welding hose for oxygen and acetylene, red and blue, made from synthetic rubber.
Provozní tlak	max. 10 bar
Upevnění	Wall, floor or ceiling
Vstup	Oxygen G 1/4 male, right-hand thread with 60° inside cone, Acetylene G 3/8 male, left-hand thread with 60° inside cone



Upozornění

Další údaje na dotaz.

Popis

Heavy-duty steel design for industrial applications. Blue, powder-coated housing. Special reel guide prevents excessive wear on the hose. An automatic latching mechanism allows the hose to be engaged at any length. Enclosed spring. Precise locking device for continuous feeding or latching mechanism.

Výrobek

Označení	Rozměr hadice	Výška (mm)	Průměr (mm)	Délka hadice (m)
K- 07 10 06 28	Oxygen: 16.5 mm x 6 mm, Acetylene: 17 mm x 10 mm	360	320	15