

# K-SCHL-AUFROLLER LU WA S

Hose reels for compressed air and water, heavy-duty type

**HANSA FLEX**

## Vlastnosti

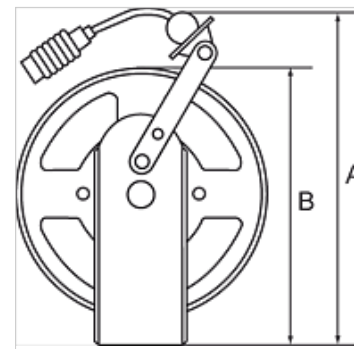
**Materiál hadice** Polyurethane

**Provozní tlak** max. 10 bar

**Provozní teplota** -10 °C to +40 °C

**Upevnění** Wall, floor or ceiling

**Vstup** Hose stem 8 mm



## Upozornění

Další údaje na dotaz.

## Popis

Heavy-duty steel design for industrial applications. Blue, powder-coated housing. An automatic latching mechanism allows the hose to be engaged at any length. Enclosed spring. Precise locking device for continuous feeding or latching mechanism. Reel guide prevents excessive wear on the hose.

## Výrobek

Označení	Rozměr hadice	A (mm)	B (mm)	Délka hadice (m)
K- 07 10 06 24	10 mm x 6,5 mm	420,0	353,0	10
K- 07 10 06 25	10 mm x 6,5 mm	420,0	353,0	20
K- 07 10 06 26	12 mm x 8 mm	420,0	353,0	15
K- 07 10 06 27	16 mm x 11 mm	420,0	353,0	15