

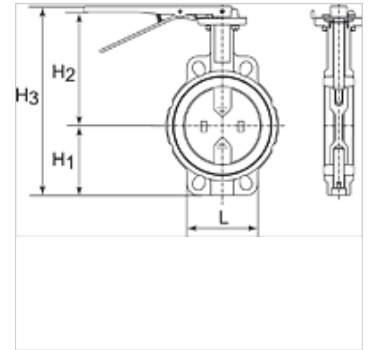
# K-ZFL ABSP-KLAPPEN

Butterfly valves

**HANSA FLEX**

## Vlastnosti

Provozní tlak	Max. 16 bar
Provozní teplota	-15 °C to +120 °C
Média	Water / steam, salt water, salt water, ester, ketone, alkali, caustic soda, sodium hydroxide. Not recommended for hydrocarbons
Teplotní rozsah	-20 °C to +120 °C
Pouzdro	Grey cast iron GG25 epoxy resin coated, RAL 5015
Těsnění	EPDM
Hřídel	SS416
Těsnění hřídele	EPDM
Ruční páčka	GG25 epoxy resin coated



## Upozornění

Další údaje na dotaz.

## Výrobek

Označení	Podložka	DN	B (mm)	H1 (mm)	H2 (mm)	H3 (mm)	L (mm)
K- 07 30 03 45	Stainless Steel CF8M/1.4404	40	38,0	68,0	94,0	198,0	94,0
K- 07 30 03 46	Stainless Steel CF8M/1.4404	50	47,0	71,0	143,0	236,0	100,0
K- 07 30 03 47	Stainless Steel CF8M/1.4404	65	49,0	78,0	155,0	255,0	115,0
K- 07 30 03 48	Stainless Steel CF8M/1.4404	80	47,0	89,0	162,0	273,0	127,0
K- 07 30 03 49	Stainless Steel CF8M/1.4404	100	56,0	102,0	178,0	302,0	163,0
K- 07 30 03 50	Stainless Steel CF8M/1.4404	125	59,0	123,0	191,0	336,0	190,0
K- 07 30 03 51	Stainless Steel CF8M/1.4404	150	59,0	138,0	205,0	365,0	216,0