

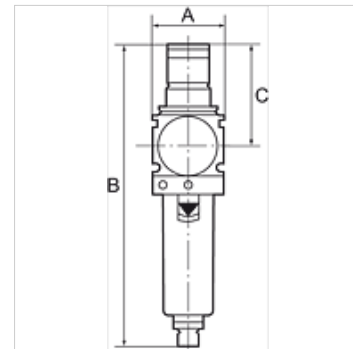
# K-FI REGL PC-BEHÄLTER S MAN VARIOB

Filter regulators with polycarbonate bowl, bowl guard and pressure gauge

**HANSA FLEX**

## Vlastnosti

<b>Tlak na vstupu</b>	Max. 16 bar (polycarbonate bowl), Max. 20 bar (metal bowl)
<b>Teplota média</b>	max. 50 °C
<b>Teplota okolí</b>	Max. 50 °C (polycarbonate bowl), Max. 80 °C (metal bowl)
<b>Šířka póru ve filtrační vložce</b>	40 µm
<b>Těsnicí materiál</b>	Nitrilkaučuk
<b>Kryt pružiny</b>	POM
<b>Pouzdro</b>	Die-cast zinc
<b>Membrána</b>	NBR
<b>Drain valve</b>	Manual
<b>Měření hodnoty průtoku</b>	At P1 = 10 bar, P2 = 6 bar and pressure drop $\Delta p = 1$ bar



## Upozornění

Další údaje na dotaz.

## Popis

Reversible diaphragm pressure regulators, independent of inlet pressure, with self-relieving design, combined with a centrifugal separator. The pressure setting can be locked by pushing the knob down. Approved series in modern industrial design, with the following key benefits: Simple handling, Convenient modular assembly thanks to innovative fasteners, Excellent flow values.

## Upozornění k objednávkám

Filter regulators are also available with bowl guard or metal bowl. Filter regulators are also available in lockable version. Please ask for more information.

## Další informace

Filter regulators are also available with bowl guard or metal bowl. Filter regulators are also available in lockable version. Please ask for more information.

## Výrobek

Označení	Závit	Regulační rozsah	Průtok (L/min)	A (mm)	B	C (mm)
K- 07 25 23 01	G 1/4	0.5 - 10 bar	2000	48,0	203,0 mm	68,0
K- 07 25 23 00	G 3/8	0.5 - 10 bar	3000	48,0	203,0 mm	68,0
K- 07 25 22 99	G 1/2	0.5 - 10 bar	5500	70,0	273,0 mm	98,0
K- 07 25 22 98	G 3/4	0.5 - 10 bar	6500	70,0	273,0 mm	98,0
K- 07 25 22 97	G 1	0.5 - 10 bar	6500	124,0	273,0 mm	98,0