

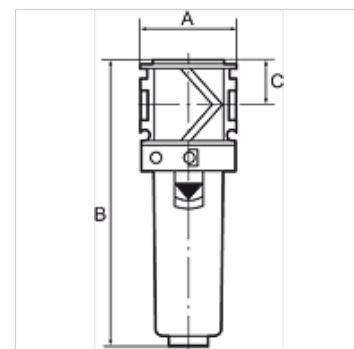
# K-FI AK KOH PC-BEHAEL VARIOBLOC

Activated carbon filters with polycarbonate bowl

**HANSA FLEX**

## Vlastnosti

<b>Tlak na vstupu</b>	Max. 16 bar (polycarbonate bowl), Max. 20 bar (metal bowl)
<b>Teplota média</b>	max. 50 °C
<b>Teplota okolí</b>	Max. 50 °C (polycarbonate bowl), Max. 80 °C (metal bowl)
<b>Kvalita vzduchu podle ISO 85731</b>	Class 1 dirt, class 1 oil
<b>Obsah zbytkových olejů</b>	0,003 mg/m <sup>3</sup>
<b>Měření hodnoty průtoku</b>	At P1 = 7 bar and pressure drop $\Delta p = 0,1$ bar



## Upozornění

Activated carbon filters are also supplied with protective cage or metal container.

Další údaje na dotaz.

## Popis

The activated carbon filter absorbs oil vapour from the compressed air. The entering compressed air needs to be dry and free of contaminants (an upstream microfilter is strongly recommended).

## Výrobek

Označení	Závit	Průtok (L/min)	A (mm)	B	C (mm)
K- 07 25 19 59	G 1/4	800	48,0	142,0 mm	22,0
K- 07 25 19 60	G 3/8	1000	48,0	142,0 mm	22,0
K- 07 25 19 61	G 1/2	1200	70,0	193,0 mm	26,0
K- 07 25 19 62	G 3/4	1300	70,0	193,0 mm	26,0
K- 07 25 19 63	G 1	1300	124,0	193,0 mm	26,0