

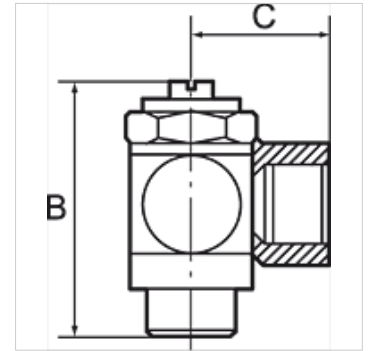
K-DV GEW B SCHLITZ

Bidirectional flow control valves, air restriction at both ends (»B«), screw connection

HANSA FLEX

Vlastnosti

| | |
|---|------------------------------------|
| Provozní tlak | max. 10 bar |
| Teplotní rozsah | 0 °C to +70 °C |
| Dutý šroub, výkyvné rameno, regulační šroub | Nickel-plated brass |
| Vnitřní součásti | Brass with a bare metal surface |
| Jazýčkové těsnění O-kroužku | NBR |
| Těsnění (neztratitelná) | Polyamide (glass fibre-reinforced) |



Upozornění

Další údaje na dotaz.

Popis

For regulation of a cylinder piston speed at both ends and control of flow rates. Designed as a banjo-type valve with a hollow bolt and ring piece for mounting directly. Compact type of construction, also ideal where space is restricted.

Výrobek

| Označení | Přípoj | C (mm) | Závit | SW | B (mm) |
|----------------|---------------------|-----------|-------|-------|-----------|
| K- 07 15 05 53 | M 5 female thread | 11,5 | M 5 | 8 mm | 24,5 |
| K- 07 15 05 58 | G 1/8 female thread | 16,0 | G 1/8 | 14 mm | 32,0 |
| K- 07 15 05 54 | G 1/4 female thread | 22,0 | G 1/4 | 17 mm | 40,0 |
| K- 07 15 25 26 | G 3/8 female thread | 26,0 | G 3/8 | 20 mm | 50,0 |
| K- 07 15 25 25 | G 1/2 female thread | 32,0 | G 1/2 | 26 mm | 61,0 |