

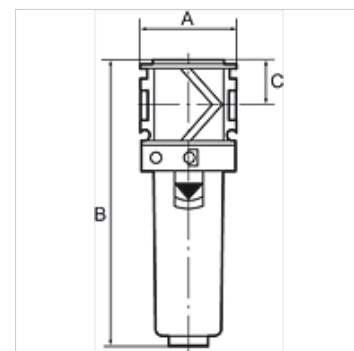
K-FI AK KOH PC-BEHAEL SI VARIOBLOC

Activated carbon filters with polycarbonate bowl and bowl guard

HANSA FLEX

Vlastnosti

Tlak na vstupu	Max. 16 bar (polycarbonate bowl), Max. 20 bar (metal bowl)
Teplota média	max. 50 °C
Teplota okolí	Max. 50 °C (polycarbonate bowl), Max. 80 °C (metal bowl)
Kvalita vzduchu podle ISO 85731	Class 1 dirt, class 1 oil
Obsah zbytkových olejů	0,003 mg/m ³
Měření hodnoty průtoku	At P1 = 7 bar and pressure drop $\Delta p = 0,1$ bar



Upozornění

Activated carbon filters are also supplied with protective cage or metal container.

Další údaje na dotaz.

Popis

The activated carbon filter absorbs oil vapour from the compressed air. The entering compressed air needs to be dry and free of contaminants (an upstream microfilter is strongly recommended).

Výrobek

Označení	Závit	Průtok (L/min)	A (mm)	B	C (mm)
K- 07 25 23 12	G 1/4	800	48,0	142,0 mm	22,0
K- 07 25 23 13	G 3/8	1000	48,0	142,0 mm	22,0
K- 07 25 23 14	G 1/2	1200	70,0	193,0 mm	26,0
K- 07 25 23 15	G 3/4	1300	70,0	193,0 mm	26,0
K- 07 25 23 16	G 1	1300	124,0	193,0 mm	26,0