

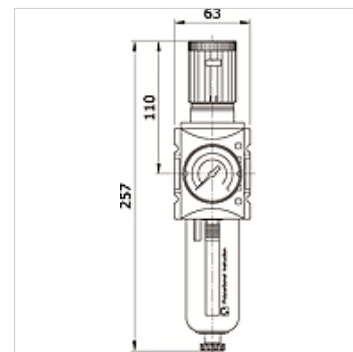
K-FI REG MANO HANSA PRO

Filter regulator, HANSA PRO2 with manual/semi-automatic condensate drain and pressure gauge, HANSA PRO

HANSA FLEX

Vlastnosti

Teplota média	-10 °C to +50 °C
Teplota okolí	-10 °C to +50 °C
Média	Stlačený plyn
Konstrukce	Diaphragm pressure regulator with relieving, centrifugal filter
Způsob upevnění	Line mounting, panel mounting, mounting kit or wall mounting
Ovládání / pojistka	lockable handwheel
Vestavná poloha	Vertical, drain down
Jemnost filtru	5,00 µm
Přípoj pro manometr	G 1/4 i
Max. množství kondenzátu	49 cc
Jmenovitý průtok G 1/2	5.200 l/min (P1 = 10 bar, P2 = 6,3 bar/Delta P = 1 bar)
Jmenovitý průtok G 3/8	4.300 l/min (P1 = 10 bar, P2 = 6,3 bar/Delta P = 1 bar)
PE max. 4	Pa 0,5 - 8 bar (Standard)Pa 0,1 - 1 barPa 0,1 - 2 barPa 0,2 - 4 barPa 0,5 - 10 barPa 0,5 - 16 bar
PE max. 6	16 bar
Filtrační prvek	Cellpor
Pouzdro	PA66
Membrána, těsnění	Ms/NBR/PA6



Výrobek

Označení	Přípoj	Regulační rozsah	Rozsah stupnice	Nádoba	Konstrukční velikost	Vypouštění kondenzátu
K- 07 25 21 60	G 3/8 i	0.1 - 1 bar	0 - 1,6 bar	polycarbonate with protective cage	2	manual / semi-automatic
K- 07 25 21 61	G 3/8 i	0.1 - 2 bar	0 - 2,5 bar	polycarbonate with protective cage	2	manual / semi-automatic
K- 07 25 21 62	G 3/8 i	0.2 - 4 bar	0 - 6 bar	polycarbonate with protective cage	2	manual / semi-automatic
K- 07 25 21 63	G 3/8 i	0.5 - 8 bar	0 - 10 bar	polycarbonate with protective cage	2	manual / semi-automatic
K- 07 25 21 64	G 3/8 i	0.5 - 10 bar	0 - 16 bar	polycarbonate with protective cage	2	manual / semi-automatic
K- 07 25 21 65	G 3/8 i	0.5 - 16 bar	0 - 25 bar	polycarbonate with protective cage	2	manual / semi-automatic
K- 07 25 21 66	G 1/2 i	0.1 - 1 bar	0 - 1,6 bar	polycarbonate with protective cage	2	manual / semi-automatic
K- 07 25 21 67	G 1/2 i	0.1 - 2 bar	0 - 2,5 bar	polycarbonate with protective cage	2	manual / semi-automatic
K- 07 25 21 68	G 1/2 i	0.2 - 4 bar	0 - 6 bar	polycarbonate with protective cage	2	manual / semi-automatic
K- 07 25 21 69	G 1/2 i	0.5 - 8 bar	0 - 10 bar	polycarbonate with protective cage	2	manual / semi-automatic
K- 07 25 21 70	G 1/2 i	0.5 - 10 bar	0 - 16 bar	polycarbonate with protective cage	2	manual / semi-automatic
K- 07 25 21 71	G 1/2 i	0.5 - 16 bar	0 - 25 bar	polycarbonate with protective cage	2	manual / semi-automatic
K- 07 25 21 72	G 3/8 i	0.1 - 1 bar	0 - 1,6 bar	zinc with visual display	2	manual / semi-automatic
K- 07 25 21 73	G 3/8 i	0.1 - 2 bar	0 - 2,5 bar	zinc with visual display	2	manual / semi-automatic
K- 07 25 21 74	G 3/8 i	0.2 - 4 bar	0 - 6 bar	zinc with visual display	2	manual / semi-automatic
K- 07 25 21 75	G 3/8 i	0.5 - 8 bar	0 - 10 bar	zinc with visual display	2	manual / semi-automatic
K- 07 25 21 76	G 3/8 i	0.5 - 10 bar	0 - 16 bar	zinc with visual display	2	manual / semi-automatic
K- 07 25 21 77	G 3/8 i	0.5 - 16 bar	0 - 25 bar	zinc with visual display	2	manual / semi-automatic
K- 07 25 21 78	G 1/2 i	0.1 - 1 bar	0 - 1,6 bar	zinc with visual display	2	manual / semi-automatic
K- 07 25 21 79	G 1/2 i	0.1 - 2 bar	0 - 2,5 bar	zinc with visual display	2	manual / semi-automatic
K- 07 25 21 80	G 1/2 i	0.2 - 4 bar	0 - 6 bar	zinc with visual display	2	manual / semi-automatic
K- 07 25 21 81	G 1/2 i	0.5 - 8 bar	0 - 10 bar	zinc with visual display	2	manual / semi-automatic
K- 07 25 21 82	G 1/2 i	0.5 - 10 bar	0 - 16 bar	zinc with visual display	2	manual / semi-automatic
K- 07 25 21 83	G 1/2 i	0.5 - 16 bar	0 - 25 bar	zinc with visual display	2	manual / semi-automatic