

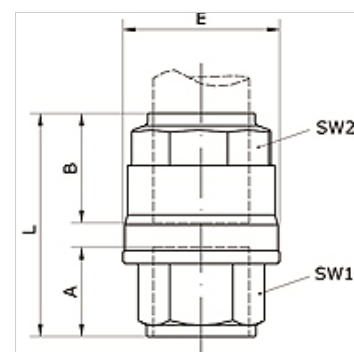
K-G STECK 20-63 IG INFI

Straight push-in connector Ø 20 mm – Ø 63 mm with internal thread

HANSA FLEX

Vlastnosti

| | |
|------------------|-------------------------------------|
| Média | Compressed air, vacuum, inert gases |
| Provozní tlak | -0,99 bar - 15 bar |
| Teplotní rozsah | -20 °C to +80 °C |
| Těsnění | NBR |
| Pouzdro | Nickel-plated brass |
| Svěračí kroužek | Stainless steel 1.4301 |
| Matice | Nickel-plated brass |
| O-kroužek | NBR |
| Pojistný kroužek | Technopolymer |



Výrobek

| Označení | Vnější Ø trubky | Přípoj | A (mm) | B (mm) | E (mm) | L (mm) | SW1 (mm) | SW2 (mm) |
|----------------|-----------------|---------|-----------|-----------|-----------|-----------|-------------|-------------|
| K- 07 40 53 44 | 20 mm | G 1/2" | 15,0 | 31,5 | 34,5 | 49,0 | 24 | 30 |
| K- 07 40 53 45 | 25 mm | G 3/4 | 16,5 | 38,5 | 42,5 | 56,5 | 32 | 35 |
| K- 07 40 53 46 | 32 mm | G 1 | 19,0 | 46,0 | 52,0 | 66,5 | 38 | 45 |
| K- 07 40 53 47 | 40 mm | G 1 1/4 | 22,0 | 52,0 | 63,0 | 76,0 | 50 | 55 |
| K- 07 40 53 48 | 50 mm | G 1 1/2 | 22,0 | 63,5 | 73,0 | 85,5 | 55 | 65 |