

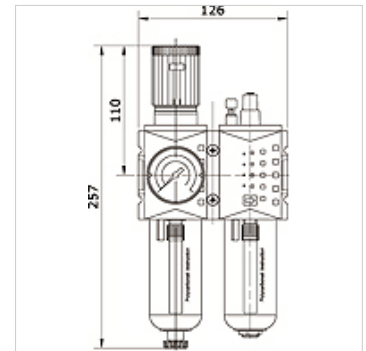
# K-WTEH 2-TEILIG HANSA PRO

2-part service unit, with manual/semi-automatic condensate drain and pressure gauge, HANSA PRO

**HANSA FLEX**

## Vlastnosti

<b>Tlak na výstupu</b>	Pa 0,5 - 8 bar (Standart) Pa 0,1 - 1 bar Pa 0,1 - 2 bar Pa 0,2 - 4 bar Pa 0,5 - 10 bar Pa 0,5 - 16 bar
<b>Teplota média</b>	-10 °C to +50 °C
<b>Teplota okolí</b>	-10 °C to +50 °C
<b>Média</b>	Stlačený plyn
<b>Konstrukce</b>	Diaphragm pressure regulator with relieving, centrifugal filter, mist lubricator
<b>Způsob upevnění</b>	Line mounting, panel mounting, mounting kit or wall mounting
<b>Ovládání / pojistka</b>	lockable handwheel
<b>Vestavná poloha</b>	Vertical, drain down
<b>Jemnost filtru</b>	5,00 µm
<b>Přípoj pro manometr</b>	G 1/4 i
<b>Max. množství kondenzátu</b>	49 cc
<b>Max. plnicí množství oleje</b>	80 cc
<b>Jmenovitý průtok G 1/2</b>	3.500 l/min (P1 = 10 bar, P2 = 6,3 bar/ Delta P = 1 bar)
<b>Jmenovitý průtok G 3/8</b>	3.500 l/min (P1 = 10 bar, P2 = 6,3 bar/ Delta P = 1 bar)
<b>Dávkování oleje při qv = 1 000 l/min.</b>	1-2 drops / min (guideline)
<b>PE max. 12</b>	16 bar
<b>Filtrační prvek</b>	Cellpor
<b>Pouzdro</b>	PA66
<b>Membrána, těsnění</b>	Ms/NBR/PA6
<b>Odkapávací nástavec</b>	Polycarbonate
<b>Druh oleje</b>	CL 32 acc. to DIN 51517 - ISO VG 32



## Výrobek

Označení	Přípoj	Regulační rozsah	Rozsah stupnice	Nádoba	Konstrukční velikost	Vypouštění kondenzátu
K- 07 25 21 88	G 3/8 i	0.1 - 1 bar	0 - 1,6 bar	polycarbonate with protective cage	2	manual / semi-automatic
K- 07 25 21 89	G 3/8 i	0.1 - 2 bar	0 - 2,5 bar	polycarbonate with protective cage	2	manual / semi-automatic
K- 07 25 21 90	G 3/8 i	0.2 - 4 bar	0 - 6 bar	polycarbonate with protective cage	2	manual / semi-automatic
K- 07 25 21 91	G 3/8 i	0.5 - 8 bar	0 - 10 bar	polycarbonate with protective cage	2	manual / semi-automatic
K- 07 25 21 92	G 3/8 i	0.5 - 10 bar	0 - 16 bar	polycarbonate with protective cage	2	manual / semi-automatic
K- 07 25 21 93	G 3/8 i	0.5 - 16 bar	0 - 25 bar	polycarbonate with protective cage	2	manual / semi-automatic
K- 07 25 21 94	G 1/2 i	0.1 - 1 bar	0 - 1,6 bar	polycarbonate with protective cage	2	manual / semi-automatic
K- 07 25 21 95	G 1/2 i	0.1 - 2 bar	0 - 2,5 bar	polycarbonate with protective cage	2	manual / semi-automatic
K- 07 25 21 96	G 1/2 i	0.2 - 4 bar	0 - 6 bar	polycarbonate with protective cage	2	manual / semi-automatic
K- 07 25 21 97	G 1/2 i	0.5 - 8 bar	0 - 10 bar	polycarbonate with protective cage	2	manual / semi-automatic
K- 07 25 21 98	G 1/2 i	0.5 - 10 bar	0 - 16 bar	polycarbonate with protective cage	2	manual / semi-automatic
K- 07 25 21 99	G 1/2 i	0.5 - 16 bar	0 - 25 bar	polycarbonate with protective cage	2	manual / semi-automatic
K- 07 25 22 00	G 3/8 i	0.1 - 1 bar	0 - 1,6 bar	zinc with visual display	2	manual / semi-automatic
K- 07 25 22 01	G 3/8 i	0.1 - 2 bar	0 - 2,5 bar	zinc with visual display	2	manual / semi-automatic
K- 07 25 22 02	G 3/8 i	0.2 - 4 bar	0 - 6 bar	zinc with visual display	2	manual / semi-automatic
K- 07 25 22 03	G 3/8 i	0.5 - 8 bar	0 - 10 bar	zinc with visual display	2	manual / semi-automatic
K- 07 25 22 04	G 3/8 i	0.5 - 10 bar	0 - 16 bar	zinc with visual display	2	manual / semi-automatic
K- 07 25 22 05	G 3/8 i	0.5 - 16 bar	0 - 25 bar	zinc with visual display	2	manual / semi-automatic
K- 07 25 22 06	G 1/2 i	0.1 - 1 bar	0 - 1,6 bar	zinc with visual display	2	manual / semi-automatic
K- 07 25 22 07	G 1/2 i	0.1 - 2 bar	0 - 2,5 bar	zinc with visual display	2	manual / semi-automatic
K- 07 25 22 08	G 1/2 i	0.2 - 4 bar	0 - 6 bar	zinc with visual display	2	manual / semi-automatic
K- 07 25 22 09	G 1/2 i	0.5 - 8 bar	0 - 10 bar	zinc with visual display	2	manual / semi-automatic
K- 07 25 22 10	G 1/2 i	0.5 - 10 bar	0 - 16 bar	zinc with visual display	2	manual / semi-automatic
K- 07 25 22 11	G 1/2 i	0.5 - 16 bar	0 - 25 bar	zinc with visual display	2	manual / semi-automatic