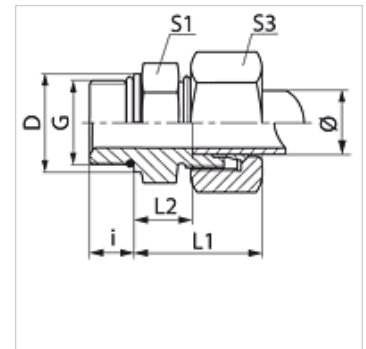


### Eigenschaften

|                     |  |
|---------------------|--|
| <b>Anschluss 1</b>  | UN/UNF-Außengewinde                        |
| <b>Dichtform 1</b>  | Form F                                     |
| <b>Anschluss 2</b>  | metrisches Außengewinde zylindrisch        |
| <b>Dichtform 2</b>  | 24° Innenkonus                             |
| <b>Bauart</b>       | Einschraub-Verschraubung                   |
| <b>Bauform</b>      | gerade                                     |
| <b>Norm</b>         | DIN 2353<br>ISO 8434-1                     |
| <b>Lieferumfang</b> | Stutzen mit Überwurfmutter und Schneidring |
| <b>Werkstoff</b>    | Stahl                                      |
| <b>Oberfläche</b>   | galvanisch beschichtet                     |



### Hinweis

Hinweise zur Montage, Einbau, Druckbelastung und zulässige Betriebstemperaturen entnehmen Sie bitte den technischen Informationen für Rohrverschraubungen.

### Artikel

| Bezeichnung        | Baureihe | Betriebsdruck | Rohr-Außen Ø (mm) | G              | D (mm) | i (mm) | L1 (mm) | L2 (mm) | S1 | S3 | OR           |
|--------------------|----------|---------------|-------------------|----------------|--------|--------|---------|---------|----|----|--------------|
| VU NW 04 HL 7/16   | L        | PN 315        | 6                 | 7/16" -20 UNF  | 17,0   | 9      | 23,0    | 8,5     | 14 | 16 | 8,92 x 1,83  |
| VU NW 04 HL 1/2    | L        | PN 315        | 6                 | 1/2" -20 UNF   | 17,0   | 9      | 23,0    | 8,5     | 17 | 17 | 10,52 x 1,83 |
| VU NW 04 HL 9/16   | L        | PN 315        | 6                 | 9/16" -18 UNF  | 17,6   | 10     | 35,0    | 10,0    | 19 | 14 | 11,90 x 1,98 |
| VU NW 06 HL 7/16   | L        | PN 315        | 8                 | 7/16" -20 UNF  | 14,4   | 9      | 28,0    | 13,0    | 17 | 17 | 8,92 x 1,83  |
| VU NW 06 HL 1/2    | L        | PN 315        | 8                 | 1/2" -20 UNF   | 17,0   | 9      | 25,0    | 10,0    | 17 | 17 | 10,52 x 1,83 |
| VU NW 06 HL 9/16   | L        | PN 315        | 8                 | 9/16" -18 UNF  | 19,0   | 10     | 25,0    | 10,0    | 17 | 17 | 11,90 x 1,98 |
| VU NW 08 HL 7/16   | L        | PN 315        | 10                | 7/16" -20 UNF  | 14,4   | 9      | 29,0    | 14,0    | 17 | 19 | 8,92 x 1,83  |
| VU NW 08 HL 9/16   | L        | PN 315        | 10                | 9/16" -18 UNF  | 19,0   | 10     | 26,0    | 11,0    | 19 | 19 | 16,36 x 2,20 |
| VU NW 08 HL 3/4    | L        | PN 315        | 10                | 3/4" -16 UNF   | 22,3   | 11     | 26,0    | 11,0    | 24 | 19 | 16,36 x 2,20 |
| VU NW 10 HL 9/16   | L        | PN 315        | 12                | 9/16" -18 UNF  | 17,6   | 10     | 27,0    | 12,0    | 19 | 22 | 11,90 x 1,98 |
| VU NW 10 HL 3/4    | L        | PN 315        | 12                | 3/4" -16 UNF   | 22,3   | 11     | 28,0    | 13,0    | 24 | 22 | 16,36 x 2,20 |
| VU NW 10 HL 7/8    | L        | PN 315        | 12                | 7/8" -14 UNF   | 25,5   | 13     | 29,0    | 14,0    | 27 | 22 | 19,18 x 2,46 |
| VU NW 13 HL 9/16   | L        | PN 315        | 15                | 9/16" -18 UNF  | 17,6   | 10     | 29,0    | 14,0    | 27 | 27 | 11,90 x 1,98 |
| VU NW 13 HL 3/4    | L        | PN 315        | 15                | 3/4" -16 UNF   | 22,3   | 11     | 29,0    | 14,0    | 24 | 27 | 16,36 x 2,20 |
| VU NW 13 HL 7/8    | L        | PN 315        | 15                | 7/8" -14 UNF   | 25,5   | 13     | 30,5    | 15,5    | 27 | 27 | 19,18 x 2,46 |
| VU NW 16 HL 3/4    | L        | PN 315        | 18                | 3/4" -16 UNF   | 22,3   | 11     | 29,5    | 14,5    | 27 | 32 | 16,36 x 2,20 |
| VU NW 16 HL 7/8    | L        | PN 315        | 18                | 7/8" -14 UNF   | 25,5   | 13     | 29,5    | 14,5    | 27 | 32 | 19,18 x 2,46 |
| VU NW 16 HL 1 1/16 | L        | PN 315        | 18                | 1.1/16" -12 UN | 31,9   | 15     | 29,5    | 14,5    | 32 | 32 | 23,47 x 2,95 |
| VU NW 20 HL 7/8    | L        | PN 160        | 22                | 7/8" -14 UNF   | 25,5   | 13     | 33,0    | 16,5    | 32 | 36 | 19,18 x 2,46 |
| VU NW 20 HL 1 1/16 | L        | PN 160        | 22                | 1.1/16" -12 UN | 31,9   | 15     | 33,0    | 16,5    | 32 | 36 | 23,47 x 2,95 |
| VU NW 20 HL 1 5/16 | L        | PN 160        | 22                | 1.5/16" -12 UN | 38,2   | 15     | 34,0    | 17,5    | 41 | 36 | 29,74 x 2,95 |
| VU NW 25 HL 7/8    | L        | PN 160        | 22                | 7/8" -14 UNF   | 25,5   | 14     | 34,0    | 17,5    | 32 | 41 | 19,18 x 2,46 |
| VU NW 25 HL 1 1/16 | L        | PN 160        | 28                | 1.1/16" -12 UN | 31,9   | 15     | 34,0    | 17,5    | 41 | 41 | 23,47 x 2,95 |
| VU NW 25 HL 1 5/16 | L        | PN 160        | 28                | 1.5/16" -12 UN | 38,2   | 15     | 34,0    | 17,5    | 41 | 41 | 29,74 x 2,95 |
| VU NW 32 HL 1 5/16 | L        | PN 160        | 35                | 1.5/16" -12 UN | 38,2   | 15     | 39,0    | 17,5    | 50 | 46 | 29,74 x 2,95 |
| VU NW 32 HL 1 5/8  | L        | PN 160        | 35                | 1.5/8" -12 UN  | 50,0   | 15     | 39,0    | 17,5    | 50 | 48 | 37,47 x 3,00 |
| VU NW 40 HL 1 5/8  | L        | PN 160        | 42                | 1.5/8" -12 UN  | 55,0   | 15     | 42,0    | 19,0    | 60 | 48 | 37,47 x 3,00 |
| VU NW 40 HL 1 7/8  | L        | PN 160        | 42                | 1.7/8" -12 UN  | 55,0   | 15     | 42,0    | 19,0    | 60 | 55 | 43,69 x 3,00 |
| VU NW 03 HS 7/16   | S        | PN 630        | 6                 | 7/16" -20 UNF  | 17,0   | 9      | 30,0    | 15,0    | 17 | 16 | 8,92 x 1,83  |
| VU NW 04 HS 7/16   | S        | PN 630        | 8                 | 7/16" -20 UNF  | 14,4   | 9      | 30,0    | 15,0    | 17 | 19 | 8,92 x 1,83  |
| VU NW 04 HS 1/2    | S        | PN 630        | 8                 | 1/2" -20 UNF   | 17,0   | 9      | 30,0    | 15,0    | 19 | 17 | 10,52 x 1,83 |
| VU NW 04 HS 9/16   | S        | PN 630        | 8                 | 9/16" -18 UNF  | 17,6   | 10     | 30,0    | 15,0    | 19 | 17 | 11,90 x 1,98 |
| VU NW 06 HS 9/16   | S        | PN 630        | 10                | 9/16" -18 UNF  | 17,6   | 10     | 31,0    | 14,5    | 19 | 22 | 11,90 x 1,98 |
| VU NW 06 HS 3/4    | S        | PN 630        | 10                | 3/4" -16 UNF   | 22,3   | 11     | 31,0    | 14,5    | 24 | 22 | 16,36 x 2,20 |
| VU NW 08 HS 9/16   | S        | PN 630        | 12                | 9/16" -18 UNF  | 17,6   | 10     | 31,0    | 14,5    | 22 | 24 | 11,90 x 1,98 |
| VU NW 08 HS 3/4    | S        | PN 630        | 12                | 3/4" -16 UNF   | 22,3   | 11     | 34,0    | 17,5    | 24 | 24 | 16,36 x 2,20 |
| VU NW 08 HS 7/8    | S        | PN 630        | 12                | 7/8" -14 UNF   | 25,5   | 13     | 37,0    | 18,5    | 27 | 24 | 19,18 x 2,46 |
| VU NW 10 HS 3/4    | S        | PN 630        | 14                | 3/4" -16 UNF   | 22,3   | 11     | 34,0    | 16,0    | 27 | 24 | 16,36 x 2,20 |
| VU NW 13 HS 3/4    | S        | PN 400        | 16                | 3/4" -16 UNF   | 22,3   | 11     | 34,0    | 15,5    | 24 | 30 | 16,36 x 2,20 |
| VU NW 13 HS 7/8    | S        | PN 400        | 16                | 7/8" -14 UNF   | 25,5   | 13     | 37,0    | 18,5    | 27 | 30 | 19,18 x 2,46 |
| VU NW 13 HS 1 1/16 | S        | PN 400        | 16                | 1.1/16" -12 UN | 31,9   | 15     | 37,0    | 18,5    | 32 | 30 | 23,47 x 2,95 |



**Artikel**

| Bezeichnung        | Baureihe | Betriebsdruck | Rohr-Außen Ø<br>(mm) | G              | D<br>(mm) | i<br>(mm) | L1<br>(mm) | L2<br>(mm) | S1 | S3 | OR           |
|--------------------|----------|---------------|----------------------|----------------|-----------|-----------|------------|------------|----|----|--------------|
| VU NW 16 HS 3/4    | S        | PN 400        | 20                   | 3/4" -16 UNF   | 22,3      | 11        | 42,0       | 20,5       | 32 | 36 | 16,36 x 2,20 |
| VU NW 16 HS 7/8    | S        | PN 400        | 20                   | 7/8" -14 UNF   | 25,5      | 13        | 42,0       | 20,5       | 32 | 36 | 19,18 x 2,46 |
| VU NW 16 HS 1 1/16 | S        | PN 400        | 20                   | 1.1/16" -12 UN | 31,9      | 15        | 42,0       | 20,5       | 32 | 36 | 23,47 x 2,95 |
| VU NW 20 HS 1 1/16 | S        | PN 400        | 25                   | 1.1/16" -12 UN | 31,9      | 15        | 47,0       | 23,0       | 41 | 46 | 23,47 x 2,95 |
| VU NW 20 HS 1 5/16 | S        | PN 400        | 25                   | 1.5/16" -12 UN | 38,2      | 15        | 47,0       | 23,0       | 41 | 46 | 29,74 x 2,95 |
| VU NW 25 HS 1 5/16 | S        | PN 400        | 30                   | 1.5/16" -12 UN | 38,2      | 15        | 50,0       | 23,5       | 46 | 50 | 29,74 x 2,95 |
| VU NW 25 HS 1 5/8  | S        | PN 400        | 30                   | 1.5/8" -12 UN  | 47,7      | 15        | 50,0       | 23,5       | 50 | 50 | 37,47 x 3,00 |
| VU NW 32 HS 1 5/8  | S        | PN 315        | 38                   | 1.5/8" -12 UN  | 54,0      | 15        | 42,0       | 19,0       | 55 | 60 | 37,47 x 3,00 |
| VU NW 32 HS 1 7/8  | S        | PN 315        | 38                   | 1.7/8" -12 UN  | 55,0      | 15        | 57,0       | 26,0       | 60 | 55 | 43,69 x 3,00 |

Baureihe: LL = Sehr Leicht L = Leicht S = Schwer - PN = Nenndruck PB = max. Betriebsdruck - Ø = Rohr-Außendurchmesser

**Produktvarianten**

|       |                                     |
|-------|-------------------------------------|
| VU VA | Einschraub-Verschraubung, Edelstahl |
| XVU   | Einschraub-Verschraubung, Stahl     |