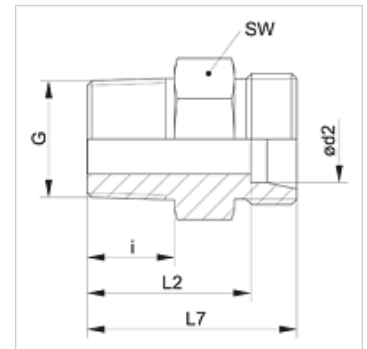
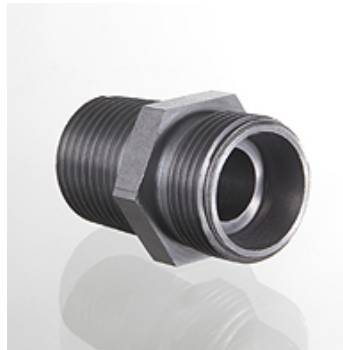


### Eigenschaften

<b>Anschluss 1</b>	NPT-Außengewinde
<b>Dichtform 1</b>	gewindedichtend
<b>Anschluss 2</b>	metrisches Außengewinde zylindrisch
<b>Dichtform 2</b>	24° Innenkonus
<b>Bauart</b>	Einschraub-Verschraubung
<b>Bauform</b>	gerade
<b>Norm</b>	DIN 2353 ISO 8434-1
<b>Lieferumfang</b>	Stutzen (ohne Überwurfmutter und Schneidring)
<b>Werkstoff</b>	Stahl
<b>Oberfläche</b>	galvanisch beschichtet



### Hinweis

Hinweise zur Montage, Einbau, Druckbelastung und zulässige Betriebstemperaturen entnehmen Sie bitte den technischen Informationen für Rohrverschraubungen.

### Artikel

Bezeichnung	Baureihe	Betriebsdruck	Ø d2 (mm)	G	i (mm)	L2 (mm)	L7 (mm)	SW (mm)
XVN 04 LL	LL	PN 100	4	1/8" -27 NPT	10,0	18,0	22,0	11
XVN 05 LL	LL	PN 100	5	1/8" -27 NPT	10,0	16,5	22,0	11
XVN 06 LL	LL	PN 100	6	1/8" -27 NPT	10,0	16,5	22,0	11
XVN 08 LL	LL	PN 100	8	1/8" -27 NPT	10,0	18,5	24,0	12
XVN NW 04 HL	L	PN 315	6	1/8" -27 NPT	10,0	17,0	24,0	12
XVN NW 04 HL 1/4	L	PN 315	6	1/4" -18 NPT	15,0	23,0	30,0	17
XVN NW 04 HL 3/8	L	PN 315	6	3/8" -18 NPT	15,3	24,0	31,0	19
XVN NW 04 HL 1/2	L	PN 315	6	1/2" -14 NPT	20,0	29,0	36,0	24
XVN NW 06 HL 1/8	L	PN 315	8	1/8" -27 NPT	10,0	18,0	25,0	17
XVN NW 06 HL	L	PN 315	8	1/4" -18 NPT	15,0	23,0	30,0	17
XVN NW 06 HL 3/8	L	PN 315	8	3/8" -18 NPT	15,3	24,0	31,0	19
XVN NW 06 HL 1/2	L	PN 315	8	1/2" -14 NPT	20,0	29,0	36,0	24
XVN NW 08 HL 1/8	L	PN 315	10	1/8" -27 NPT	10,0	19,0	26,0	17
XVN NW 08 HL	L	PN 315	10	1/4" -18 NPT	15,0	24,0	31,0	17
XVN NW 08 HL 3/8	L	PN 315	10	3/8" -18 NPT	15,3	25,0	32,0	19
XVN NW 08 HL 1/2	L	PN 315	10	1/2" -14 NPT	20,0	30,0	37,0	24
XVN NW 10 HL 1/8	L	PN 315	12	1/8" -27 NPT	10,0	19,5	26,5	19
XVN NW 10 HL 1/4	L	PN 315	12	1/4" -18 NPT	15,0	25,0	32,0	19
XVN NW 10 HL	L	PN 315	12	3/8" -18 NPT	15,3	25,0	32,0	19
XVN NW 10 HL 1/2	L	PN 315	12	1/2" -14 NPT	20,0	30,0	37,0	24
XVN NW 10 HL 3/4	L	PN 315	12	3/4" -14 NPT	20,2	31,0	38,0	27
XVN NW 13 HL 1/4	L	PN 315	15	1/4" -18 NPT	15,0	26,0	33,0	24
XVN NW 13 HL 3/8	L	PN 315	15	3/8" -18 NPT	15,3	26,5	33,5	24
XVN NW 13 HL	L	PN 315	15	1/2" -14 NPT	20,0	31,0	38,0	24
XVN NW 13 HL 3/4	L	PN 315	15	3/4" -14 NPT	20,2	32,0	39,0	27
XVN NW 16 HL 1/4	L	PN 315	18	1/4" -18 NPT	15,0	26,5	34,0	27
XVN NW 16 HL	L	PN 315	18	1/2" -14 NPT	20,0	31,5	39,0	27
XVN NW 16 HL 3/4	L	PN 315	18	3/4" -14 NPT	20,2	31,5	39,0	27
XVN NW 20 HL 1/2	L	PN 160	22	1/2" -14 NPT	20,0	33,5	41,0	32
XVN NW 20 HL	L	PN 160	22	3/4" -14 NPT	20,2	33,5	41,0	32
XVN NW 25 HL	L	PN 160	28	1" -11,5 NPT	25,0	39,5	47,0	41
XVN NW 32 HL 1	L	PN 160	35	1" -11,5 NPT	25,0	40,0	50,5	46
XVN NW 32 HL	L	PN 160	35	1.1/4" -11,5 NPT	25,6	40,5	51,0	46
XVN NW 40 HL	L	PN 160	42	1.1/2" -11,5 NPT	26,0	42,0	53,0	55
XVN NW 03 HS	S	PN 630	6	1/4" -18 NPT	15,0	28,0	35,0	17
XVN NW 03 HS 1/2	S	PN 630	6	1/2" -14 NPT	20,0	35,0	42,0	24
XVN NW 04 HS	S	PN 630	8	1/4" -18 NPT	15,0	28,0	35,0	17
XVN NW 04 HS 3/8	S	PN 630	8	3/8" -18 NPT	15,3	28,0	35,0	19
XVN NW 06 HS 1/4	S	PN 630	10	1/4" -18 NPT	15,0	27,5	35,0	19
XVN NW 06 HS	S	PN 630	10	3/8" -18 NPT	15,3	27,5	35,0	19



## Artikel

Bezeichnung	Baureihe	Betriebsdruck	Ø d2 (mm)	G	i (mm)	L2 (mm)	L7 (mm)	SW (mm)
XVN NW 06 HS 1/2	S	PN 630	10	1/2" -14 NPT	20,0	34,5	42,0	24
XVN NW 08 HS 1/4	S	PN 630	12	1/4" -18 NPT	15,0	29,0	36,5	22
XVN NW 08 HS	S	PN 630	12	3/8" -18 NPT	15,3	29,5	37,0	22
XVN NW 08 HS 1/2	S	PN 630	12	1/2" -14 NPT	20,0	34,5	42,0	24
XVN NW 10 HS 3/8	S	PN 630	14	3/8" -18 NPT	15,3	31,5	39,5	24
XVN NW 10 HS	S	PN 630	14	1/2" -14 NPT	20,0	36,0	44,0	24
XVN NW 13 HS	S	PN 400	16	1/2" -14 NPT	20,0	35,5	44,0	27
XVN NW 13 HS 3/4	S	PN 400	16	3/4" -14 NPT	20,2	37,5	46,0	32
XVN NW 16 HS 1/2	S	PN 400	20	1/2" -14 NPT	20,0	37,5	48,0	32
XVN NW 16 HS	S	PN 400	20	3/4" -14 NPT	20,2	37,5	48,0	32
XVN NW 16 HS 1	S	PN 400	20	1" -11,5 NPT	25,0	44,5	55,0	41
XVN NW 20 HS 3/4	S	PN 400	25	3/4" -14 NPT	20,2	40,0	52,0	41
XVN NW 20 HS	S	PN 400	25	1" -11,5 NPT	25,0	45,0	57,0	41
XVN NW 20 HS 1 1/4	S	PN 400	25	1.1/4" -11,5 NPT	25,6	46,0	58,0	46
XVN NW 25 HS 1	S	PN 400	30	1" -11,5 NPT	25,0	46,0	59,5	46
XVN NW 25 HS	S	PN 400	30	1.1/4" -11,5 NPT	25,6	46,5	60,0	46
XVN NW 32 HS	S	PN 315	38	1.1/2" -11,5 NPT	26,0	49,0	65,0	55

Baureihe: LL = Sehr Leicht L = Leicht S = Schwer - PN = Nenndruck PB = max. Betriebsdruck - Ø d2 = Rohraußendurchmesser

## Produktvarianten

XVN VA	Einschraub-Verschraubung, Edelstahl
VN	Einschraub-Verschraubung, Stahl