

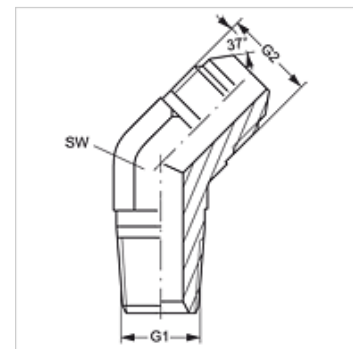
# W45 HN HJ

Einschraub-Stutzen, Winkel 45°

**HANSA FLEX**

## Eigenschaften

<b>Anschluss 1</b>	NPT-Außengewinde
<b>Dichtform 1</b>	gewindedichtend
<b>Anschluss 2</b>	UN/UNF-Außengewinde
<b>Dichtform 2</b>	74° Außenkonus
<b>Bauart</b>	Einschraub-Stutzen
<b>Bauform</b>	Winkel 45°
<b>Werkstoff</b>	Stahl
<b>Oberfläche</b>	galvanisch beschichtet



## Artikel

Bezeichnung	G1	G2	SW (mm)
W45 HN 02 HJ 04	1/8" -27 NPT	7/16" -20 UNF	11
W45 HN 02 HJ 05	1/8" -27 NPT	1/2" -20 UNF	13
W45 HN 02 HJ 06	1/8" -27 NPT	9/16" -18 UNF	14
W45 HN 04 HJ	1/4" -18 NPT	7/16" -20 UNF	14
W45 HN 04 HJ 05	1/4" -18 NPT	1/2" -20 UNF	14
W45 HN 04 HJ 06	1/4" -18 NPT	9/16" -18 UNF	14
W45 HN 04 HJ 08	1/4" -18 NPT	3/4" -16 UNF	19
W45 HN 06 HJ	3/8" -18 NPT	9/16" -18 UNF	19
W45 HN 06 HJ 08	3/8" -18 NPT	3/4" -16 UNF	19
W45 HN 06 HJ 10	3/8" -18 NPT	7/8" -14 UNF	22
W45 HN 08 HJ	1/2" -14 NPT	3/4" -16 UNF	22
W45 HN 08 HJ 06	1/2" -14 NPT	9/16" -18 UNF	22
W45 HN 08 HJ 10	1/2" -14 NPT	7/8" -14 UNF	22
W45 HN 08 HJ 12	1/2" -14 NPT	1.1/16" -12 UN	27
W45 HN 12 HJ	3/4" -14 NPT	1.1/16" -12 UN	27
W45 HN 12 HJ 08	3/4" -14 NPT	3/4" -16 UNF	27
W45 HN 12 HJ 10	3/4" -14 NPT	7/8" -14 UNF	27
W45 HN 12 HJ 14	3/4" -14 NPT	1.3/16" -12 UN	33
W45 HN 12 HJ 16	3/4" -14 NPT	1.5/16" -12 UN	33
W45 HN 16 HJ	1" -11,5 NPT	1.5/16" -12 UN	33
W45 HN 16 HJ 12	1" -11,5 NPT	1.1/16" -12 UN	33
W45 HN 16 HJ 20	1" -11,5 NPT	1.5/8" -12 UN	41
W45 HN 20 HJ	1.1/4" -11,5 NPT	1.5/8" -12 UN	41
W45 HN 24 HJ	1.1/2" -11,5 NPT	1.7/8" -12 UN	48
W45 HN 32 HJ	2" -11,5 NPT	2.1/2" -12 UN	55

SW = Schlüsselweite

## Produktvarianten

W45 HN HJ VA Einschraub-Stutzen, Winkel 45°, Edelstahl