

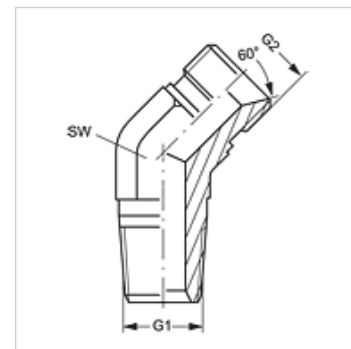
# W45 HRK HB

Einschraub-Stutzen, Winkel 45°

**HANSA FLEX**

## Eigenschaften

<b>Anschluss 1</b>	BSPT-Außengewinde kegelig
<b>Dichtform 1</b>	gewindedichtend
<b>Anschluss 2</b>	BSP-Außengewinde zylindrisch
<b>Dichtform 2</b>	60° Innenkonus
<b>Bauart</b>	Einschraub-Stutzen
<b>Bauform</b>	Winkel 45°
<b>Werkstoff</b>	Stahl
<b>Oberfläche</b>	galvanisch beschichtet



## Artikel

Bezeichnung	G1	G2	SW (mm)
W45 HRK 04 HB	R 1/4" K	G 1/4" -19	14
W45 HRK 04 HB 06	R 1/4" K	G 3/8" -19	19
W45 HRK 06 HB 04	R 3/8" K	G 1/4" -19	19
W45 HRK 06 HB	R 3/8" K	G 3/8" -19	19
W45 HRK 06 HB 08	R 3/8" K	G 1/2" -14	22
W45 HRK 08 HB 06	R 1/2" K	G 3/8" -19	22
W45 HRK 08 HB	R 1/2" K	G 1/2" -14	22
W45 HRK 08 HB 12	R 1/2" K	G 3/4" -14	27
W45 HRK 12 HB 08	R 3/4" K	G 1/2" -14	27
W45 HRK 12 HB	R 3/4" K	G 3/4" -14	27
W45 HRK 12 HB 16	R 3/4" K	G 1" -11	33
W45 HRK 16 HB 12	R 1" K	G 3/4" -14	33
W45 HRK 16 HB	R 1" K	G 1" -11	33
W45 HRK 16 HB 20	R 1" K	G 1.1/4" -11	41
W45 HRK 20 HB 16	R 1.1/4" K	G 1" -11	41
W45 HRK 20 HB	R 1.1/4" K	G 1.1/4" -11	41
W45 HRK 20 HB 24	R 1.1/4" K	G 1.1/2" -11	48
W45 HRK 24 HB 20	R 1.1/2" K	G 1.1/4" -11	48
W45 HRK 24 HB	R 1.1/2" K	G 1.1/2" -11	48
W45 HRK 32 HB 24	R 2" K	G 1.1/2" -11	64
W45 HRK 32 HB	R 2" K	G 2" -11	64

SW = Schlüsselweite