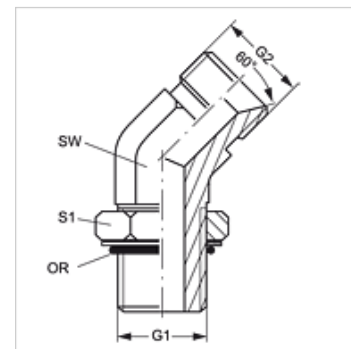


# W45 O HB

Einschraub-Stutzen, Winkel 45°

## Eigenschaften

<b>Anschluss 1</b>	UN/UNF-Außengewinde
<b>Dichtform 1</b>	O-Ring-Abdichtung am Einschraub-Stutzen
<b>Anschluss 2</b>	BSP-Außengewinde zylindrisch
<b>Dichtform 2</b>	60° Innenkonus
<b>Bauart</b>	Einschraub-Stutzen
<b>Bauform</b>	Winkel 45°
<b>Werkstoff</b>	Stahl
<b>Oberfläche</b>	galvanisch beschichtet



## Artikel

Bezeichnung	G1	G2	SW (mm)	S1	OR
W45 O 04 HB 02	7/16" -20 UNF	G 1/8" -28	11	14	8,92 x 1,83
W45 O 04 HB	7/16" -20 UNF	G 1/4" -19	11	14	8,92 x 1,83
W45 O 04 HB 06	7/16" -20 UNF	G 3/8" -19	14	14	8,92 x 1,83
W45 O 05 HB 02	1/2" -20 UNF	G 1/8" -28	13	16	10,52 x 1,83
W45 O 05 HB 04	1/2" -20 UNF	G 1/4" -19	13	16	10,52 x 1,83
W45 O 06 HB 04	9/16" -18 UNF	G 1/4" -19	14	17	11,90 x 1,98
W45 O 06 HB	9/16" -18 UNF	G 3/8" -19	14	17	11,90 x 1,98
W45 O 08 HB 04	3/4" -16 UNF	G 1/4" -19	19	22	16,36 x 2,20
W45 O 08 HB 06	3/4" -16 UNF	G 3/8" -19	19	22	16,36 x 2,20
W45 O 08 HB	3/4" -16 UNF	G 1/2" -14	19	22	16,36 x 2,20
W45 O 08 HB 12	3/4" -16 UNF	G 3/4" -14	27	22	16,36 x 2,20
W45 O 10 HB 06	7/8" -14 UNF	G 3/8" -19	22	25	19,18 x 2,46
W45 O 10 HB 08	7/8" -14 UNF	G 1/2" -14	22	25	19,18 x 2,46
W45 O 10 HB 12	7/8" -14 UNF	G 3/4" -14	27	25	19,18 x 2,46
W45 O 12 HB 08	1.1/16" -12 UN	G 1/2" -14	27	32	23,47 x 2,95
W45 O 12 HB	1.1/16" -12 UN	G 3/4" -14	27	32	23,47 x 2,95
W45 O 12 HB 16	1.1/16" -12 UN	G 1" -11	33	32	23,47 x 2,95
W45 O 16 HB 12	1.5/16" -12 UN	G 3/4" -14	33	38	29,74 x 2,95
W45 O 16 HB	1.5/16" -12 UN	G 1" -11	33	38	29,74 x 2,95

SW, S1, S2 = Schlüsselweite