

W90 HN AJ VA

Einschraub-Stutzen, Winkel 90°

HANSA FLEX

Eigenschaften

Anschluss 1 NPT-Außengewinde

Dichtform 1 gewindedichtend

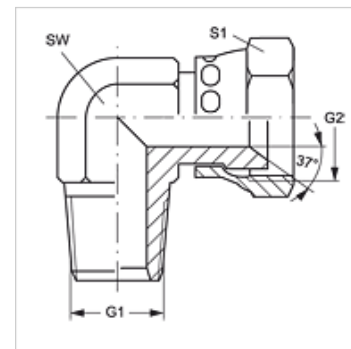
Anschluss 2 UN/UNF-Muttergewinde

Dichtform 2 74° Innenkonus

Bauart Einschraub-Stutzen

Bauform Winkel 90°

Werkstoff Edelstahl



Artikel

Bezeichnung	G1	G2	SW (mm)	S1
W90 HN 02 AJ 04 VA	1/8" -27 NPT	7/16" -20 UNF	13	14
W90 HN 02 AJ 05 VA	1/8" -27 NPT	1/2" -20 UNF	14	16
W90 HN 04 AJ VA	1/4" -18 NPT	7/16" -20 UNF	14	14
W90 HN 04 AJ 05 VA	1/8" -27 NPT	1/2" -20 UNF	14	17
W90 HN 04 AJ 06 VA	1/4" -18 NPT	9/16" -18 UNF	16	19
W90 HN 04 AJ 08 VA	1/4" -18 NPT	3/4" -16 UNF	19	24
W90 HN 06 AJ VA	3/8" -18 NPT	9/16" -18 UNF	19	19
W90 HN 06 AJ 08 VA	3/8" -18 NPT	3/4" -16 UNF	19	22
W90 HN 06 AJ 10 VA	3/8" -18 NPT	7/8" -14 UNF	24	27
W90 HN 08 AJ VA	1/2" -14 NPT	3/4" -16 UNF	19	24
W90 HN 08 AJ 10 VA	1/2" -14 NPT	7/8" -14 UNF	24	27
W90 HN 08 AJ 12 VA	1/2" -14 NPT	1.1/16" -12 UN	24	32
W90 HN 12 AJ 10 VA	3/4" -14 NPT	7/8" -14 UNF	24	27
W90 HN 12 AJ VA	3/4" -14 NPT	1.1/16" -12 UN	27	32
W90 HN 12 AJ 16 VA	3/4" -14 NPT	1.5/16" -12 UN	33	41
W90 HN 16 AJ VA	1" -11,5 NPT	1.5/16" -12 UN	36	38
W90 HN 20 AJ VA	1.1/4" -11,5 NPT	1.5/8" -12 UN	41	50
W90 HN 24 AJ VA	1.1/2" -11,5 NPT	1.7/8" -12 UN	48	55

SW, S1, S2 = Schlüsselweite

Produktvarianten

W90 HN AJ Einschraub-Stutzen, Winkel 90°, Stahl