

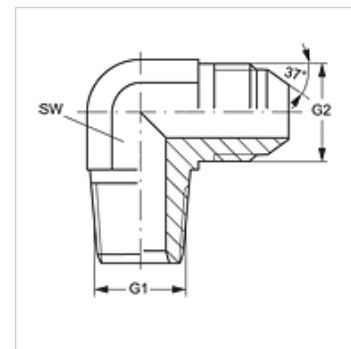
# W90 HN HJ VA

Einschraub-Stutzen, Winkel 90°

**HANSA FLEX**

## Eigenschaften

<b>Anschluss 1</b>	NPT-Außengewinde
<b>Dichtform 1</b>	gewindedichtend
<b>Anschluss 2</b>	UN/UNF-Außengewinde
<b>Dichtform 2</b>	74° Außenkonus
<b>Bauart</b>	Einschraub-Stutzen
<b>Bauform</b>	Winkel 90°
<b>Werkstoff</b>	Edelstahl



## Artikel

Bezeichnung	G1	G2	SW (mm)	S1
W90 HN 06 HJ 05 VA	3/8" -18 NPT	1/2" -20 UNF	19	-
W90 HN 20 HJ 24 VA	1.1/4" -11,5 NPT	1.7/8" -12 UN	48	-
W90 HN 02 HJ 04 VA	1/8" -27 NPT	7/16" -20 UNF	11	-
W90 HN 02 HJ 05 VA	1/8" -27 NPT	1/2" -20 UNF	13	-
W90 HN 02 HJ 06 VA	1/8" -27 NPT	9/16" -18 UNF	14	-
W90 HN 04 HJ VA	1/4" -18 NPT	7/16" -20 UNF	14	-
W90 HN 04 HJ 05 VA	1/4" -18 NPT	1/2" -20 UNF	14	-
W90 HN 04 HJ 06 VA	1/4" -18 NPT	9/16" -18 UNF	14	-
W90 HN 04 HJ 08 VA	1/4" -18 NPT	3/4" -16 UNF	19	-
W90 HN 06 HJ 04 VA	3/8" -18 NPT	7/16" -20 UNF	19	-
W90 HN 06 HJ VA	3/8" -18 NPT	9/16" -18 UNF	19	-
W90 HN 06 HJ 08 VA	3/8" -18 NPT	3/4" -16 UNF	19	-
W90 HN 08 HJ 16 VA	1/2" -14 NPT	1.5/16" -12 UN	33	24
W90 HN 06 HJ 10 VA	3/8" -18 NPT	7/8" -14 UNF	22	-
W90 HN 08 HJ VA	1/2" -14 NPT	3/4" -16 UNF	22	-
W90 HN 08 HJ 06 VA	1/2" -14 NPT	9/16" -18 UNF	22	-
W90 HN 08 HJ 10 VA	1/2" -14 NPT	7/8" -14 UNF	22	-
W90 HN 08 HJ 12 VA	1/2" -14 NPT	1.1/16" -12 UN	27	-
W90 HN 12 HJ VA	3/4" -14 NPT	1.1/16" -12 UN	27	-
W90 HN 12 HJ 10 VA	3/4" -14 NPT	7/8" -14 UNF	27	-
W90 HN 12 HJ 16 VA	3/4" -14 NPT	1.5/16" -12 UN	33	-
W90 HN 16 HJ VA	1" -11,5 NPT	1.5/16" -12 UN	33	-
W90 HN 16 HJ 12 VA	1" -11,5 NPT	1.1/16" -12 UN	33	-
W90 HN 16 HJ 20 VA	1" -11,5 NPT	1.5/8" -12 UN	41	-
W90 HN 20 HJ VA	1.1/4" -11,5 NPT	1.5/8" -12 UN	45	-
W90 HN 24 HJ VA	1.1/2" -11,5 NPT	1.7/8" -12 UN	48	-

SW = Schlüsselweite

## Produktvarianten

W90 HN HJ Einschraub-Stutzen, Winkel 90°, Stahl