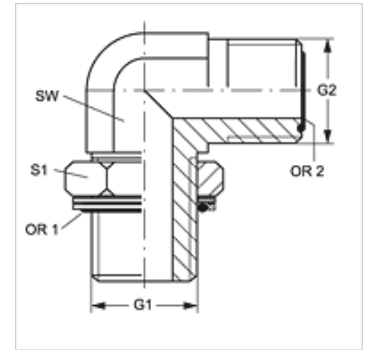


W90 HROK HJOF

Einschraub-Stutzen, Winkel 90°

Eigenschaften

| | |
|--------------------|---|
| Anschluss 1 | BSP-Außengewinde zylindrisch |
| Dichtform 1 | Gewindestutzen mit O-Ring + Kammerring |
| Anschluss 2 | ORFS-Außengewinde |
| Dichtform 2 | flachdichtend mit O-Ring |
| Bauart | Einschraub-Stutzen richtungseinstellbar |
| Bauform | Winkel 90° |
| Werkstoff | Stahl |
| Oberfläche | galvanisch beschichtet |



Artikel

| Bezeichnung | G1 | G2 | SW (mm) | S1 | OR1 | OR2 |
|---------------------|--------------|-----------------|------------|----|--------------|--------------|
| W90 HROK 02 HJOF 04 | G 1/8" -28 | 9/16" -18 UNF | 14 | 14 | 8,00 x 2,00 | 7,65 x 1,78 |
| W90 HROK 04 HJOF | G 1/4" -19 | 9/16" -18 UNF | 19 | 19 | 10,77 x 2,62 | 7,65 x 1,78 |
| W90 HROK 04 HJOF 06 | G 1/4" -19 | 11/16" -16 UN | 19 | 19 | 10,77 x 2,62 | 9,25 x 1,78 |
| W90 HROK 04 HJOF 08 | G 1/4" -19 | 13/16" -16 UN | 19 | 19 | 10,77 x 2,62 | 12,42 x 1,78 |
| W90 HROK 06 HJOF 04 | G 3/8" -19 | 9/16" -18 UNF | 19 | 22 | 13,94 x 2,62 | 7,65 x 1,78 |
| W90 HROK 06 HJOF | G 3/8" -19 | 11/16" -16 UN | 19 | 22 | 13,94 x 2,62 | 9,25 x 1,78 |
| W90 HROK 06 HJOF 08 | G 3/8" -19 | 13/16" -16 UN | 19 | 22 | 13,94 x 2,62 | 12,42 x 1,78 |
| W90 HROK 06 HJOF 10 | G 3/8" -19 | 1" -14 UNS | 27 | 22 | 13,94 x 2,62 | 15,60 x 1,78 |
| W90 HROK 08 HJOF 06 | G 1/2" -14 | 11/16" -16 UN | 27 | 27 | 17,86 x 2,62 | 9,25 x 1,78 |
| W90 HROK 08 HJOF | G 1/2" -14 | 13/16" -16 UN | 27 | 27 | 17,86 x 2,62 | 12,42 x 1,78 |
| W90 HROK 08 HJOF 10 | G 1/2" -14 | 1" -14 UNS | 27 | 27 | 17,86 x 2,62 | 15,60 x 1,78 |
| W90 HROK 08 HJOF 12 | G 1/2" -14 | 1.3/16" -12 UN | 30 | 27 | 17,86 x 2,62 | 18,77 x 1,78 |
| W90 HROK 12 HJOF 08 | G 3/4" -14 | 13/16" -16 UN | 30 | 36 | 23,47 x 2,62 | 12,42 x 1,78 |
| W90 HROK 12 HJOF 10 | G 3/4" -14 | 1" -14 UNS | 30 | 36 | 23,47 x 2,62 | 15,60 x 1,78 |
| W90 HROK 12 HJOF | G 3/4" -14 | 1.3/16" -12 UN | 30 | 36 | 23,47 x 2,62 | 18,77 x 1,78 |
| W90 HROK 12 HJOF 16 | G 3/4" -14 | 1.7/16" -12 UN | 36 | 36 | 23,47 x 2,62 | 23,53 x 1,78 |
| W90 HROK 16 HJOF 10 | G 1" -11 | 1" -14 UNS | 36 | 41 | 29,75 x 3,53 | 15,60 x 1,78 |
| W90 HROK 16 HJOF 12 | G 1" -11 | 1.3/16" -12 UN | 36 | 41 | 29,75 x 3,53 | 18,77 x 1,78 |
| W90 HROK 16 HJOF | G 1" -11 | 1.7/16" -12 UN | 36 | 41 | 29,75 x 3,53 | 23,53 x 1,78 |
| W90 HROK 16 HJOF 20 | G 1" -11 | 1.11/16" -12 UN | 41 | 41 | 29,75 x 3,53 | 29,87 x 1,78 |
| W90 HROK 20 HJOF 16 | G 1.1/4" -11 | 1.7/16" -12 UN | 41 | 50 | 37,69 x 3,53 | 23,53 x 1,78 |
| W90 HROK 20 HJOF | G 1.1/4" -11 | 1.11/16" -12 UN | 41 | 50 | 37,69 x 3,53 | 29,87 x 1,78 |
| W90 HROK 24 HJOF 20 | G 1.1/2" -11 | 1.11/16" -12 UN | 50 | 55 | 44,04 x 3,53 | 29,87 x 1,78 |
| W90 HROK 24 HJOF | G 1.1/2" -11 | 2" -12 UN | 50 | 55 | 44,04 x 3,53 | 37,82 x 1,78 |

SW, S1, S2 = Schlüsselweite

Produktvarianten

W90 HROK HJOF VA Einschraub-Stutzen, Winkel 90°, Edelstahl

Ersatzteile

KAMMRING G Kammerring, zoellig