

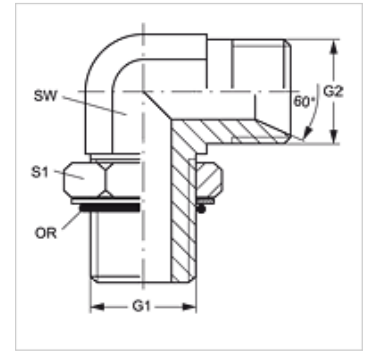
# W90 O HB

Einschraub-Stutzen, AGR Winkel 90°

**HANSA FLEX**

## Eigenschaften

<b>Anschluss 1</b>	UN/UNF-Außengewinde
<b>Dichtform 1</b>	O-Ring-Abdichtung am Einschraub-Stutzen
<b>Anschluss 2</b>	BSP-Außengewinde zylindrisch
<b>Dichtform 2</b>	60° Innenkonus
<b>Bauart</b>	Einschraub-Stutzen
<b>Bauform</b>	Winkel 90°
<b>Werkstoff</b>	Stahl
<b>Oberfläche</b>	galvanisch beschichtet



## Artikel

Bezeichnung	G1	G2	SW (mm)	S1	OR
W90 O 04 HB 02	7/16" -20 UNF	G 1/8" -28	11	17	8,92 x 1,83
W90 O 04 HB	7/16" -20 UNF	G 1/4" -19	11	17	8,92 x 1,83
W90 O 04 HB 06	7/16" -20 UNF	G 3/8" -19	14	17	8,92 x 1,83
W90 O 05 HB 02	1/2" -20 UNF	G 1/8" -28	14	19	10,52 x 1,83
W90 O 05 HB 04	1/2" -20 UNF	G 1/4" -19	14	19	10,52 x 1,83
W90 O 06 HB 04	9/16" -18 UNF	G 1/4" -19	14	21	11,90 x 1,98
W90 O 06 HB	9/16" -18 UNF	G 3/8" -19	14	21	11,90 x 1,98
W90 O 08 HB 04	3/4" -16 UNF	G 1/4" -19	19	25	16,36 x 2,20
W90 O 08 HB 06	3/4" -16 UNF	G 3/8" -19	19	25	16,36 x 2,20
W90 O 08 HB	3/4" -16 UNF	G 1/2" -14	19	25	16,36 x 2,20
W90 O 08 HB 12	3/4" -16 UNF	G 3/4" -14	22	25	16,36 x 2,20
W90 O 10 HB 06	7/8" -14 UNF	G 3/8" -19	22	30	19,18 x 2,46
W90 O 10 HB 08	7/8" -14 UNF	G 1/2" -14	22	30	19,18 x 2,46
W90 O 10 HB	7/8" -14 UNF	G 5/8" -14	22	30	19,18 x 2,46
W90 O 10 HB 12	7/8" -14 UNF	G 3/4" -14	22	30	19,18 x 2,46
W90 O 12 HB 08	1.1/16" -12 UN	G 1/2" -14	27	36	23,47 x 2,95
W90 O 12 HB	1.1/16" -12 UN	G 3/4" -14	27	36	23,47 x 2,95
W90 O 12 HB 16	1.1/16" -12 UN	G 1" -11	33	36	23,47 x 2,95
W90 O 16 HB 12	1.5/16" -12 UN	G 3/4" -14	33	45	29,74 x 2,95
W90 O 16 HB	1.5/16" -12 UN	G 1" -11	33	45	29,74 x 2,95
W90 O 16 HB 20	1.5/16" -12 UN	G 1.1/4" -11	41	45	29,74 x 2,95
W90 O 20 HB 16	1.5/8" -12 UN	G 1" -11	41	55	37,47 x 3,00
W90 O 20 HB	1.5/8" -12 UN	G 1.1/4" -11	41	55	37,47 x 3,00

SW, S1, S2 = Schlüsselweite