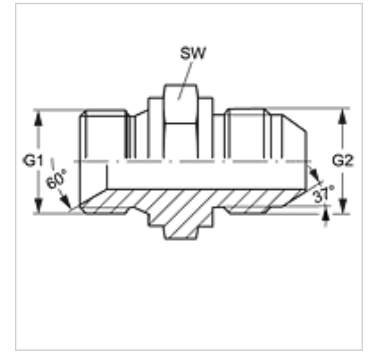


### Eigenschaften

Dichtform 1	60° Innenkonus
Anschluss 1	BSP-Außengewinde zylindrisch
Anschluss 2	UN/UNF-Außengewinde
Dichtform 2	74° Außenkonus
Bauart	Verbindungs-Stutzen
Bauform	gerade
Werkstoff	Stahl
Oberfläche	galvanisch beschichtet



### Artikel

Bezeichnung	G1	G2	SW (mm)
G HB 02 HJ 10	G 1/8" -28	7/8" -14 UNF	24
G HB 04 HJ 10	G 1/4" -19	7/8" -14 UNF	24
G HB 08 HJ 05	G 1/2" -14	1/2" -20 UNF	27
G HB 08 HJ 14	G 1/2" -14	1.3/16" -12 UN	32
G HB 08 HJ 16	G 1/2" -14	1.5/16" -12 UN	41
G HB 10 HJ 08	G 5/8" -14	3/4" -16 UNF	27
G HB 10 HJ	G 5/8" -14	7/8" -14 UNF	27
G HB 10 HJ 12	G 5/8" -14	1.1/16" -12 UN	32
G HB 10 HJ 16	G 5/8" -14	1.5/16" -12 UN	41
G HB 12 HJ 06	G 3/4" -14	9/16" -18 UNF	32
G HB 12 HJ 14	G 3/4" -14	1.3/16" -12 UN	32
G HB 12 HJ 20	G 3/4" -14	1.5/8" -12 UN	50
G HB 16 HJ 08	G 1" -11	3/4" -16 UNF	41
G HB 16 HJ 10	G 1" -11	7/8" -14 UNF	41
G HB 16 HJ 14	G 1" -11	1.3/16" -12 UN	41
G HB 20 HJ 12	G 1.1/4" -11	1.1/16" -12 UN	50
G HB 24 HJ 16	G 1.1/2" -11	1.5/16" -12 UN	55
G HB 24 HJ 32	G 1.1/2" -11	2.1/2" -12 UN	60
G HB 32 HJ 24	G 2" -11	1.7/8" -12 UN	60
G HB 32 HJ	G 2" -11	2.1/2" -12 UN	60

SW = Schlüsselweite