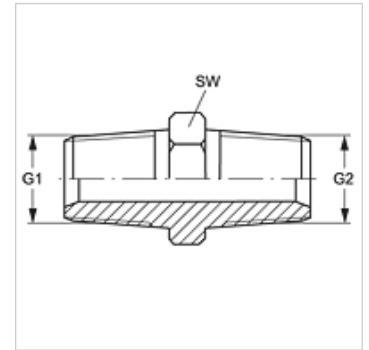


Eigenschaften

Anschluss 1	NPT-Außengewinde
Dichtform 1	gewindedichtend
Anschluss 2	NPT-Außengewinde
Dichtform 2	gewindedichtend
Bauart	Verbindungs-Stutzen
Bauform	gerade
Werkstoff	Edelstahl



Artikel

Bezeichnung	G1	G2	SW (mm)
G HN 02 VA	1/8" -27 NPT	1/8" -27 NPT	12
G 04 HN 02 VA	1/4" -18 NPT	1/8" -27 NPT	16
G HN 04 VA	1/4" -18 NPT	1/4" -18 NPT	14
G 06 HN 02 VA	3/8" -18 NPT	1/8" -27 NPT	19
G 06 HN 04 VA	3/8" -18 NPT	1/4" -18 NPT	19
G HN 06 VA	3/8" -18 NPT	3/8" -18 NPT	19
G 08 HN 04 VA	1/2" -14 NPT	1/4" -18 NPT	22
G 08 HN 06 VA	1/2" -14 NPT	3/8" -18 NPT	22
G HN 08 VA	1/2" -14 NPT	1/2" -14 NPT	22
G 12 HN 08 VA	3/4" -14 NPT	1/2" -14 NPT	29
G HN 12 VA	3/4" -14 NPT	3/4" -14 NPT	27
G 16 HN 08 VA	1" -11,5 NPT	1/2" -14 NPT	35
G 16 HN 12 VA	1" -11,5 NPT	3/4" -14 NPT	36
G HN 16 VA	1" -11,5 NPT	1" -11,5 NPT	36
G HN 20 VA	1.1/4" -11,5 NPT	1.1/4" -11,5 NPT	46
G HN 24 VA	1.1/2" -11,5 NPT	1.1/2" -11,5 NPT	50
G HN 32 VA	2" -11,5 NPT	2" -11,5 NPT	65

SW = Schlüsselweite

Produktvarianten

G HN	Verbindungs-Stutzen, Stahl
-------------	----------------------------