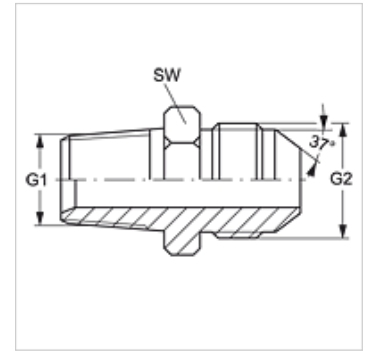


Eigenschaften

| | |
|--------------------|------------------------|
| Anschluss 1 | NPT-Außengewinde |
| Dichtform 1 | gewindedichtend |
| Anschluss 2 | UN/UNF-Außengewinde |
| Dichtform 2 | 74° Außenkonus |
| Bauart | Einschraub-Stutzen |
| Bauform | gerade |
| Werkstoff | Stahl |
| Oberfläche | galvanisch beschichtet |



Artikel

| Bezeichnung | G1 | G2 | SW (mm) |
|----------------|------------------|----------------|------------|
| GE HN 02 HJ 03 | 1/8" -27 NPT | 3/8" -24 UNF | 12 |
| GE HN 02 HJ 04 | 1/8" -27 NPT | 7/16" -20 UNF | 12 |
| GE HN 02 HJ 05 | 1/8" -27 NPT | 1/2" -20 UNF | 14 |
| GE HN 02 HJ 06 | 1/8" -27 NPT | 9/16" -18 UNF | 17 |
| GE HN 02 HJ 08 | 1/8" -27 NPT | 3/4" -16 UNF | 19 |
| GE HN 04 HJ | 1/4" -18 NPT | 7/16" -20 UNF | 14 |
| GE HN 04 HJ 05 | 1/4" -18 NPT | 1/2" -20 UNF | 14 |
| GE HN 04 HJ 06 | 1/4" -18 NPT | 9/16" -18 UNF | 17 |
| GE HN 04 HJ 08 | 1/4" -18 NPT | 3/4" -16 UNF | 19 |
| GE HN 06 HJ | 3/8" -18 NPT | 9/16" -18 UNF | 19 |
| GE HN 06 HJ 04 | 3/8" -18 NPT | 7/16" -20 UNF | 19 |
| GE HN 06 HJ 05 | 3/8" -18 NPT | 1/2" -20 UNF | 19 |
| GE HN 06 HJ 08 | 3/8" -18 NPT | 3/4" -16 UNF | 19 |
| GE HN 06 HJ 10 | 3/8" -18 NPT | 7/8" -14 UNF | 24 |
| GE HN 06 HJ 12 | 3/8" -18 NPT | 1.1/16" -12 UN | 27 |
| GE HN 08 HJ 04 | 1/2" -14 NPT | 7/16" -20 UNF | 24 |
| GE HN 08 HJ 05 | 1/2" -14 NPT | 1/2" -20 UNF | 24 |
| GE HN 08 HJ 06 | 1/2" -14 NPT | 9/16" -18 UNF | 24 |
| GE HN 08 HJ | 1/2" -14 NPT | 3/4" -16 UNF | 24 |
| GE HN 08 HJ 10 | 1/2" -14 NPT | 7/8" -14 UNF | 24 |
| GE HN 08 HJ 12 | 1/2" -14 NPT | 1.1/16" -12 UN | 27 |
| GE HN 08 HJ 16 | 1/2" -14 NPT | 1.5/16" -12 UN | 36 |
| GE HN 12 HJ 04 | 3/4" -14 NPT | 7/16" -20 UNF | 27 |
| GE HN 12 HJ 06 | 3/4" -14 NPT | 9/16" -18 UNF | 27 |
| GE HN 12 HJ 08 | 3/4" -14 NPT | 3/4" -16 UNF | 27 |
| GE HN 12 HJ 10 | 3/4" -14 NPT | 7/8" -14 UNF | 27 |
| GE HN 12 HJ | 3/4" -14 NPT | 1.1/16" -12 UN | 27 |
| GE HN 12 HJ 14 | 3/4" -14 NPT | 1.3/16" -12 UN | 32 |
| GE HN 12 HJ 16 | 3/4" -14 NPT | 1.5/16" -12 UN | 36 |
| GE HN 16 HJ | 1" -11,5 NPT | 1.5/16" -12 UN | 36 |
| GE HN 16 HJ 12 | 1" -11,5 NPT | 1.1/16" -12 UN | 36 |
| GE HN 16 HJ 20 | 1" -11,5 NPT | 1.5/8" -12 UN | 46 |
| GE HN 16 HJ 24 | 1" -11,5 NPT | 1.7/8" -12 UN | 50 |
| GE HN 20 HJ 12 | 1.1/4" -11,5 NPT | 1.1/16" -12 UN | 46 |
| GE HN 20 HJ 16 | 1.1/4" -11,5 NPT | 1.5/16" -12 UN | 46 |
| GE HN 20 HJ | 1.1/4" -11,5 NPT | 1.5/8" -12 UN | 46 |
| GE HN 20 HJ 24 | 1.1/4" -11,5 NPT | 1.7/8" -12 UN | 50 |
| GE HN 20 HJ 32 | 1.1/4" -11,5 NPT | 2.1/2" -12 UN | 65 |
| GE HN 24 HJ 12 | 1.1/2" -11,5 NPT | 1.1/16" -12 UN | 50 |
| GE HN 24 HJ 16 | 1.1/2" -11,5 NPT | 1.5/16" -12 UN | 50 |
| GE HN 24 HJ 20 | 1.1/2" -11,5 NPT | 1.5/8" -12 UN | 50 |
| GE HN 24 HJ | 1.1/2" -11,5 NPT | 1.7/8" -12 UN | 50 |
| GE HN 24 HJ 32 | 1.1/2" -11,5 NPT | 2.1/2" -12 UN | 65 |
| GE HN 32 HJ 24 | 2" -11,5 NPT | 1.7/8" -12 UN | 65 |
| GE HN 32 HJ | 2" -11,5 NPT | 2.1/2" -12 UN | 65 |

SW = Schlüsselweite

Produktvarianten

GE HN HJ VA Einschraub-Stutzen, Edelstahl