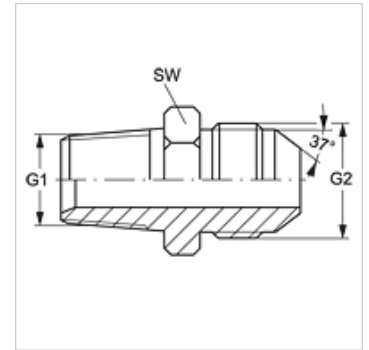


GE HN HJ VA

Einschraub-Stutzen

Eigenschaften

Anschluss 1	NPT-Außengewinde
Dichtform 1	gewindedichtend
Anschluss 2	UN/UNF-Außengewinde
Dichtform 2	74° Außenkonus
Bauart	Einschraub-Stutzen
Bauform	gerade
Werkstoff	Edelstahl



Artikel

Bezeichnung	G1	G2	SW (mm)
GE HN 02 HJ 04 VA	1/8" -27 NPT	7/16" -20 UNF	13
GE HN 02 HJ 05 VA	1/8" -27 NPT	1/2" -20 UNF	14
GE HN 02 HJ 06 VA	1/8" -27 NPT	9/16" -18 UNF	16
GE HN 04 HJ VA	1/4" -18 NPT	7/16" -20 UNF	14
GE HN 04 HJ 05 VA	1/4" -18 NPT	1/2" -20 UNF	14
GE HN 04 HJ 06 VA	1/4" -18 NPT	9/16" -18 UNF	16
GE HN 04 HJ 08 VA	1/4" -18 NPT	3/4" -16 UNF	19
GE HN 06 HJ VA	3/8" -18 NPT	9/16" -18 UNF	19
GE HN 06 HJ 04 VA	3/8" -18 NPT	7/16" -20 UNF	19
GE HN 06 HJ 05 VA	3/8" -18 NPT	1/2" -20 UNF	19
GE HN 06 HJ 08 VA	3/8" -18 NPT	3/4" -16 UNF	19
GE HN 06 HJ 10 VA	3/8" -18 NPT	7/8" -14 UNF	24
GE HN 08 HJ 04 VA	1/2" -14 NPT	7/16" -20 UNF	22
GE HN 08 HJ 06 VA	1/2" -14 NPT	9/16" -18 UNF	22
GE HN 08 HJ VA	1/2" -14 NPT	3/4" -16 UNF	22
GE HN 08 HJ 10 VA	1/2" -14 NPT	7/8" -14 UNF	24
GE HN 08 HJ 12 VA	1/2" -14 NPT	1.1/16" -12 UN	27
GE HN 08 HJ 16 VA	1/2" -14 NPT	1.5/16" -12 UN	35
GE HN 12 HJ 08 VA	3/4" -14 NPT	3/4" -16 UNF	27
GE HN 12 HJ 10 VA	3/4" -14 NPT	7/8" -14 UNF	27
GE HN 12 HJ VA	3/4" -14 NPT	1.1/16" -12 UN	27
GE HN 12 HJ 16 VA	3/4" -14 NPT	1.5/16" -12 UN	36
GE HN 16 HJ VA	1" -11,5 NPT	1.5/16" -12 UN	36
GE HN 16 HJ 12 VA	1" -11,5 NPT	1.1/16" -12 UN	36
GE HN 16 HJ 20 VA	1" -11,5 NPT	1.5/8" -12 UN	46
GE HN 20 HJ 16 VA	1.1/4" -11,5 NPT	1.5/16" -12 UN	46
GE HN 20 HJ VA	1.1/4" -11,5 NPT	1.5/8" -12 UN	46
GE HN 20 HJ 24 VA	1.1/4" -11,5 NPT	1.7/8" -12 UN	50
GE HN 24 HJ 20 VA	1.1/2" -11,5 NPT	1.5/8" -12 UN	50
GE HN 24 HJ VA	1.1/2" -11,5 NPT	1.7/8" -12 UN	50

SW = Schlüsselweite

Produktvarianten

GE HN HJ	Einschraub-Stutzen, Stahl
----------	---------------------------