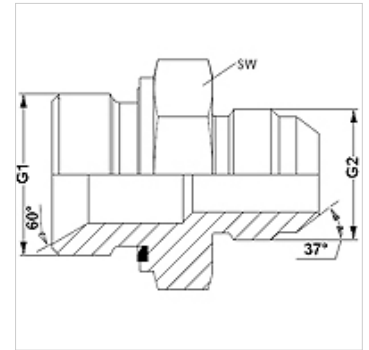


### Eigenschaften

<b>Anschluss 1</b>	BSP-Außengewinde zylindrisch
<b>Dichtform 1</b>	Form E
<b>Anschluss 2</b>	UN/UNF-Außengewinde
<b>Dichtform 2</b>	74° Außenkonus
<b>Bauart</b>	Einschraub-Stutzen
<b>Bauform</b>	gerade
<b>Werkstoff</b>	Stahl
<b>Oberfläche</b>	galvanisch beschichtet



### Artikel

Bezeichnung	G1	G2	SW (mm)
GE HRED 02 HJ 04	G 1/8" -28	7/16" -20 UNF	14
GE HRED 02 HJ 05	G 1/8" -28	1/2" -20 UNF	14
GE HRED 02 HJ 06	G 1/8" -28	9/16" -18 UNF	19
GE HRED 04 HJ	G 1/4" -19	7/16" -20 UNF	19
GE HRED 04 HJ 05	G 1/4" -19	1/2" -20 UNF	19
GE HRED 04 HJ 06	G 1/4" -19	9/16" -18 UNF	19
GE HRED 04 HJ 08	G 1/4" -19	3/4" -16 UNF	19
GE HRED 06 HJ 04	G 3/8" -19	7/16" -20 UNF	22
GE HRED 06 HJ 05	G 3/8" -19	1/2" -20 UNF	22
GE HRED 06 HJ	G 3/8" -19	9/16" -18 UNF	22
GE HRED 06 HJ 08	G 3/8" -19	3/4" -16 UNF	22
GE HRED 06 HJ 10	G 3/8" -19	7/8" -14 UNF	24
GE HRED 06 HJ 12	G 3/8" -19	1.1/16" -12 UN	27
GE HRED 08 HJ 04	G 1/2" -14	7/16" -20 UNF	27
GE HRED 08 HJ 06	G 1/2" -14	9/16" -18 UNF	27
GE HRED 08 HJ	G 1/2" -14	3/4" -16 UNF	27
GE HRED 08 HJ 10	G 1/2" -14	7/8" -14 UNF	27
GE HRED 08 HJ 12	G 1/2" -14	1.1/16" -12 UN	27
GE HRED 12 HJ 08	G 3/4" -14	3/4" -16 UNF	32
GE HRED 12 HJ 10	G 3/4" -14	7/8" -14 UNF	32
GE HRED 12 HJ	G 3/4" -14	1.1/16" -12 UN	32
GE HRED 12 HJ 16	G 3/4" -14	1.5/16" -12 UN	36
GE HRED 16 HJ 12	G 1" -11	1.1/16" -12 UN	41
GE HRED 16 HJ	G 1" -11	1.5/16" -12 UN	41
GE HRED 16 HJ 20	G 1" -11	1.5/8" -12 UN	46
GE HRED 16 HJ 24	G 1" -11	1.7/8" -12 UN	50
GE HRED 20 HJ 16	G 1.1/4" -11	1.5/16" -12 UN	50
GE HRED 20 HJ	G 1.1/4" -11	1.5/8" -12 UN	50
GE HRED 20 HJ 24	G 1.1/4" -11	1.7/8" -12 UN	50
GE HRED 24 HJ 20	G 1.1/2" -11	1.5/8" -12 UN	55
GE HRED 24 HJ	G 1.1/2" -11	1.7/8" -12 UN	55

SW = Schlüsselweite

### Produktvarianten

GE HRED HJ VA	Einschraub-Stutzen, Edelstahl
---------------	-------------------------------

### Ersatzteile

WD	Weichdichtung für ED-Verschraubungen
----	--------------------------------------