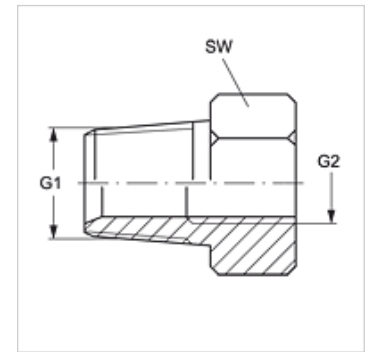


### Eigenschaften

|                    |                              |
|--------------------|------------------------------|
| <b>Anschluss 1</b> | BSPT-Außengewinde kegelig    |
| <b>Dichtform 1</b> | gewindedichtend              |
| <b>Anschluss 2</b> | BSP-Innengewinde zylindrisch |
| <b>Dichtform 2</b> | flachdichtend                |
| <b>Bauart</b>      | Einschraub-Stutzen           |
| <b>Bauform</b>     | gerade                       |
| <b>Werkstoff</b>   | Stahl                        |
| <b>Oberfläche</b>  | galvanisch beschichtet       |



### Artikel

| Bezeichnung     | G1         | G2           | SW<br>(mm) |
|-----------------|------------|--------------|------------|
| GE HRK 02 IR 04 | R 1/8" K   | G 1/4" -19   | 19         |
| GE HRK 02 IR 06 | R 1/8" K   | G 3/8" -19   | 22         |
| GE HRK 02 IR 08 | R 1/8" K   | G 1/2" -14   | 27         |
| GE HRK 04 IR 02 | R 1/4" K   | G 1/8" -28   | 14         |
| GE HRK 04 IR    | R 1/4" K   | G 1/4" -19   | 19         |
| GE HRK 04 IR 06 | R 1/4" K   | G 3/8" -19   | 22         |
| GE HRK 04 IR 08 | R 1/4" K   | G 1/2" -14   | 27         |
| GE HRK 06 IR 02 | R 3/8" K   | G 1/8" -28   | 19         |
| GE HRK 06 IR 04 | R 3/8" K   | G 1/4" -19   | 19         |
| GE HRK 06 IR    | R 3/8" K   | G 3/8" -19   | 22         |
| GE HRK 06 IR 08 | R 3/8" K   | G 1/2" -14   | 27         |
| GE HRK 08 IR 04 | R 1/2" K   | G 1/4" -19   | 22         |
| GE HRK 08 IR 06 | R 1/2" K   | G 3/8" -19   | 22         |
| GE HRK 08 IR    | R 1/2" K   | G 1/2" -14   | 27         |
| GE HRK 08 IR 12 | R 1/2" K   | G 3/4" -14   | 36         |
| GE HRK 08 IR 16 | R 1/2" K   | G 1" -11     | 41         |
| GE HRK 12 IR 04 | R 3/4" K   | G 1/4" -19   | 27         |
| GE HRK 12 IR 06 | R 3/4" K   | G 3/8" -19   | 27         |
| GE HRK 12 IR 08 | R 3/4" K   | G 1/2" -14   | 27         |
| GE HRK 12 IR    | R 3/4" K   | G 3/4" -14   | 32         |
| GE HRK 12 IR 16 | R 3/4" K   | G 1" -11     | 41         |
| GE HRK 16 IR 08 | R 1" K     | G 1/2" -14   | 36         |
| GE HRK 16 IR 12 | R 1" K     | G 3/4" -14   | 36         |
| GE HRK 16 IR    | R 1" K     | G 1" -11     | 41         |
| GE HRK 16 IR 20 | R 1" K     | G 1.1/4" -11 | 50         |
| GE HRK 20 IR 08 | R 1.1/4" K | G 1/2" -14   | 50         |
| GE HRK 20 IR 12 | R 1.1/4" K | G 3/4" -14   | 50         |
| GE HRK 20 IR 16 | R 1.1/4" K | G 1" -11     | 50         |
| GE HRK 20 IR 24 | R 1.1/4" K | G 1.1/2" -11 | 55         |
| GE HRK 24 IR 16 | R 1.1/2" K | G 1" -11     | 55         |
| GE HRK 24 IR 20 | R 1.1/2" K | G 1.1/4" -11 | 55         |
| GE HRK 24 IR 32 | R 1.1/2" K | G 2" -11     | 70         |
| GE HRK 32 IR 20 | R 2" K     | G 1.1/4" -11 | 70         |
| GE HRK 32 IR 24 | R 2" K     | G 1.1/2" -11 | 70         |

SW = Schlüsselweite