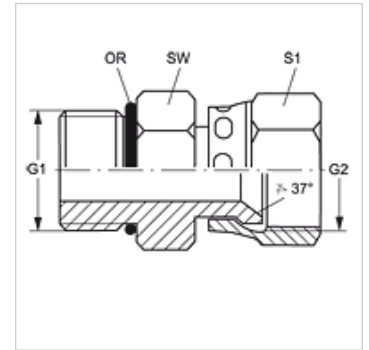


### Eigenschaften

|                    |   |
|--------------------|---|
| <b>Anschluss 1</b> | UN/UNF-Außengewinde                     |
| <b>Dichtform 1</b> | O-Ring-Abdichtung am Einschraub-Stutzen |
| <b>Anschluss 2</b> | UN/UNF-Muttergewinde                    |
| <b>Dichtform 2</b> | 74° Innenkonus                          |
| <b>Bauart</b>      | Einschraub-Stutzen                      |
| <b>Bauform</b>     | gerade                                  |
| <b>Werkstoff</b>   | Stahl                                   |
| <b>Oberfläche</b>  | galvanisch beschichtet                  |



### Artikel

| Bezeichnung   | G1             | G2             | SW<br>(mm) | S1 | OR           |
|---------------|----------------|----------------|------------|----|--------------|
| GE O 04 AJ    | 7/16" -20 UNF  | 7/16" -20 UNF  | 14         | 16 | 8,92 x 1,83  |
| GE O 05 AJ 04 | 1/2" -20 UNF   | 7/16" -20 UNF  | 17         | 16 | 10,52 x 1,83 |
| GE O 05 AJ    | 1/2" -20 UNF   | 1/2" -20 UNF   | 17         | 17 | 10,52 x 1,83 |
| GE O 06 AJ 04 | 9/16" -18 UNF  | 7/16" -20 UNF  | 17         | 16 | 11,90 x 1,98 |
| GE O 06 AJ    | 9/16" -18 UNF  | 9/16" -18 UNF  | 17         | 19 | 11,90 x 1,98 |
| GE O 06 AJ 08 | 9/16" -18 UNF  | 3/4" -16 UNF   | 17         | 22 | 10,89 x 1,98 |
| GE O 08 AJ 06 | 3/4" -16 UNF   | 9/16" -18 UNF  | 22         | 19 | 16,36 x 2,20 |
| GE O 08 AJ    | 3/4" -16 UNF   | 3/4" -16 UNF   | 22         | 22 | 16,36 x 2,20 |
| GE O 08 AJ 10 | 3/4" -16 UNF   | 7/8" -14 UNF   | 22         | 27 | 16,36 x 2,20 |
| GE O 08 AJ 12 | 3/4" -16 UNF   | 1.1/16" -12 UN | 22         | 32 | 16,36 x 2,20 |
| GE O 10 AJ 08 | 7/8" -14 UNF   | 3/4" -16 UNF   | 27         | 22 | 19,18 x 2,46 |
| GE O 10 AJ    | 7/8" -14 UNF   | 7/8" -14 UNF   | 27         | 27 | 19,18 x 2,46 |
| GE O 10 AJ 12 | 7/8" -14 UNF   | 1.1/16" -12 UN | 27         | 32 | 19,18 x 2,46 |
| GE O 12 AJ 08 | 1.1/16" -12 UN | 3/4" -16 UNF   | 32         | 22 | 23,47 x 2,95 |
| GE O 12 AJ 10 | 1.1/16" -12 UN | 7/8" -14 UNF   | 32         | 27 | 23,47 x 2,95 |
| GE O 12 AJ    | 1.1/16" -12 UN | 1.1/16" -12 UN | 32         | 32 | 23,47 x 2,95 |
| GE O 12 AJ 16 | 1.1/16" -12 UN | 1.5/16" -12 UN | 32         | 38 | 23,47 x 2,95 |
| GE O 14 AJ    | 1.3/16" -12 UN | 1.3/16" -12 UN | 41         | 36 | 26,59 x 2,95 |
| GE O 16 AJ 12 | 1.5/16" -12 UN | 1.1/16" -12 UN | 41         | 32 | 29,74 x 2,95 |
| GE O 16 AJ    | 1.5/16" -12 UN | 1.5/16" -12 UN | 41         | 38 | 29,74 x 2,95 |
| GE O 20 AJ 16 | 1.5/8" -12 UN  | 1.5/16" -12 UN | 50         | 38 | 37,47 x 3,00 |
| GE O 20 AJ    | 1.5/8" -12 UN  | 1.5/8" -12 UN  | 50         | 50 | 37,47 x 3,00 |
| GE O 24 AJ    | 1.7/8" -12 UN  | 1.7/8" -12 UN  | 54         | 60 | 43,69 x 3,00 |

SW, S1, S2 = Schlüsselweite