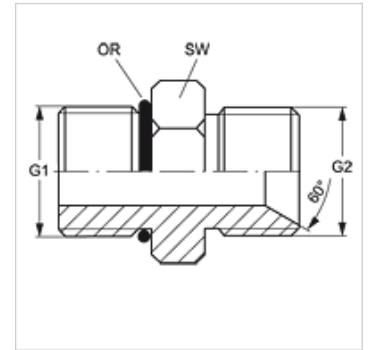


### Eigenschaften

|                    |   |
|--------------------|---|
| <b>Anschluss 1</b> | UN/UNF-Außengewinde                     |
| <b>Dichtform 1</b> | O-Ring-Abdichtung am Einschraub-Stutzen |
| <b>Anschluss 2</b> | BSP-Außengewinde zylindrisch            |
| <b>Dichtform 2</b> | 60° Innenkonus                          |
| <b>Bauart</b>      | Einschraub-Stutzen                      |
| <b>Bauform</b>     | gerade                                  |
| <b>Werkstoff</b>   | Stahl                                   |
| <b>Oberfläche</b>  | galvanisch beschichtet                  |



### Artikel

| Bezeichnung   | G1             | G2           | SW<br>(mm) | OR           |
|---------------|----------------|--------------|------------|--------------|
| GE O 04 HB 02 | 7/16" -20 UNF  | G 1/8" -28   | 17         | 8,92 x 1,83  |
| GE O 04 HB    | 7/16" -20 UNF  | G 1/4" -19   | 17         | 8,92 x 1,83  |
| GE O 04 HB 06 | 7/16" -20 UNF  | G 3/8" -19   | 21         | 8,92 x 1,83  |
| GE O 05 HB 02 | 1/2" -20 UNF   | G 1/8" -28   | 19         | 10,52 x 1,83 |
| GE O 05 HB 04 | 1/2" -20 UNF   | G 1/4" -19   | 19         | 10,52 x 1,83 |
| GE O 05 HB 06 | 1/2" -20 UNF   | G 3/8" -19   | 21         | 10,52 x 1,83 |
| GE O 06 HB 04 | 9/16" -18 UNF  | G 1/4" -19   | 21         | 11,90 x 1,98 |
| GE O 06 HB    | 9/16" -18 UNF  | G 3/8" -19   | 21         | 11,90 x 1,98 |
| GE O 06 HB 08 | 9/16" -18 UNF  | G 1/2" -14   | 28         | 11,90 x 1,98 |
| GE O 08 HB 04 | 3/4" -16 UNF   | G 1/4" -19   | 26         | 16,36 x 2,20 |
| GE O 08 HB 06 | 3/4" -16 UNF   | G 3/8" -19   | 26         | 16,36 x 2,20 |
| GE O 08 HB    | 3/4" -16 UNF   | G 1/2" -14   | 28         | 16,36 x 2,20 |
| GE O 08 HB 10 | 3/4" -16 UNF   | G 5/8" -14   | 30         | 16,36 x 2,20 |
| GE O 08 HB 12 | 3/4" -16 UNF   | G 3/4" -14   | 36         | 16,36 x 2,20 |
| GE O 10 HB 06 | 7/8" -14 UNF   | G 3/8" -19   | 30         | 19,18 x 2,46 |
| GE O 10 HB 08 | 7/8" -14 UNF   | G 1/2" -14   | 30         | 19,18 x 2,46 |
| GE O 10 HB    | 7/8" -14 UNF   | G 5/8" -14   | 30         | 19,18 x 2,46 |
| GE O 10 HB 12 | 7/8" -14 UNF   | G 3/4" -14   | 36         | 19,18 x 2,46 |
| GE O 10 HB 16 | 7/8" -14 UNF   | G 1" -11     | 40         | 19,18 x 2,46 |
| GE O 12 HB 08 | 1.1/16" -12 UN | G 1/2" -14   | 36         | 23,47 x 2,95 |
| GE O 12 HB 10 | 1.1/16" -12 UN | G 5/8" -14   | 36         | 23,47 x 2,95 |
| GE O 12 HB    | 1.1/16" -12 UN | G 3/4" -14   | 36         | 23,47 x 2,95 |
| GE O 12 HB 16 | 1.1/16" -12 UN | G 1" -11     | 45         | 23,47 x 2,95 |
| GE O 16 HB 12 | 1.5/16" -12 UN | G 3/4" -14   | 45         | 29,74 x 2,95 |
| GE O 16 HB    | 1.5/16" -12 UN | G 1" -11     | 45         | 29,74 x 2,95 |
| GE O 16 HB 20 | 1.5/16" -12 UN | G 1.1/4" -11 | 55         | 29,74 x 2,95 |
| GE O 20 HB 16 | 1.5/8" -12 UN  | G 1" -11     | 55         | 37,47 x 3,00 |
| GE O 20 HB    | 1.5/8" -12 UN  | G 1.1/4" -11 | 55         | 37,47 x 3,00 |
| GE O 24 HB 20 | 1.7/8" -12 UN  | G 1.1/4" -11 | 62         | 43,69 x 3,00 |
| GE O 24 HB    | 1.7/8" -12 UN  | G 1.1/2" -11 | 62         | 43,69 x 3,00 |

SW = Schlüsselweite