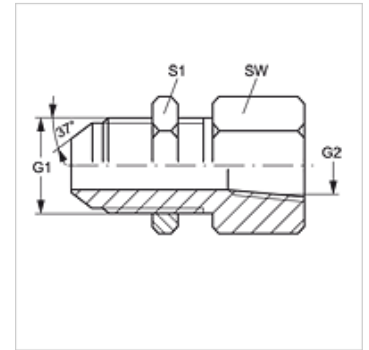


### Eigenschaften

<b>Anschluss 1</b>	UN/UNF-Außengewinde
<b>Dichtform 1</b>	74° Außenkonus
<b>Anschluss 2</b>	NPT-Innengewinde
<b>Dichtform 2</b>	gewindedichtend
<b>Bauart</b>	Schottverschraubung-Stutzen
<b>Bauform</b>	gerade
<b>Werkstoff</b>	Stahl
<b>Oberfläche</b>	galvanisch beschichtet



### Artikel

Bezeichnung	G1	G2	SW (mm)	S1
SV HJ 04 IN 02	7/16" -20 UNF	1/8" -27 NPT	17	17
SV HJ 04 IN	7/16" -20 UNF	1/4" -18 NPT	19	19
SV HJ 05 IN 02	1/2" -20 UNF	1/8" -27 NPT	21	17
SV HJ 05 IN 04	1/2" -20 UNF	1/4" -18 NPT	19	17
SV HJ 06 IN 02	9/16" -18 UNF	1/8" -27 NPT	17	21
SV HJ 06 IN 04	9/16" -18 UNF	1/4" -18 NPT	21	21
SV HJ 06 IN	9/16" -18 UNF	3/8" -18 NPT	25	21
SV HJ 08 IN 04	3/4" -16 UNF	1/4" -18 NPT	21	25
SV HJ 08 IN 06	3/4" -16 UNF	3/8" -18 NPT	25	25
SV HJ 08 IN	3/4" -16 UNF	1/2" -14 NPT	29	25
SV HJ 10 IN 08	7/8" -14 UNF	1/2" -14 NPT	29	29
SV HJ 12 IN 08	1.1/16" -12 UN	1/2" -14 NPT	29	35
SV HJ 12 IN	1.1/16" -12 UN	3/4" -14 NPT	35	35
SV HJ 14 IN 12	1.3/16" -12 UN	3/4" -14 NPT	35	41
SV HJ 16 IN	1.5/16" -12 UN	1" -11,5 NPT	41	41
SV HJ 20 IN	1.5/8" -12 UN	1.1/4" -11,5 NPT	46	46
SV HJ 24 IN	1.7/8" -12 UN	1.1/2" -11,5 NPT	50	50

SW, S1, S2 = Schlüsselweite