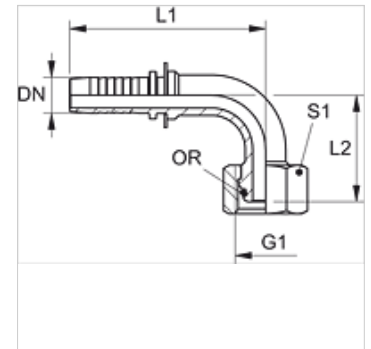


Eigenschaften

| | |
|-----------------------|--|
| Einsatzbereich | Pressnippel für HD 100- bis HD 400-, KP-, TE-Schläuche |
| Anschluss 1 | metrisches Muttergewinde |
| Dichtform 1 | 24° Außenkonus mit O-Ring |
| Kürzel | DKOL |
| Norm | ISO 8434-1 |
| Baureihe | leicht |
| Werkstoff | Stahl |
| Oberfläche | galvanisch beschichtet |



Hinweis

Die passende Fassung bitte nach dem Schlauchtyp auswählen.

Artikel

| Bezeichnung | DN | Size | Zoll | G1 | für Rohr-Außen-Ø (mm) | L1 (mm) | L2 (mm) | S1 | OR |
|----------------------|----|------|--------|------------|--------------------------|------------|------------|----|------------|
| PN 04 AOL 90 | 5 | 3 | 3/16" | M 12 x 1,5 | 6 | 48,5 | 29,0 | 14 | 4,0 x 1,5 |
| PN 04 AOL 06 90 | 5 | 3 | 3/16" | M 14 x 1,5 | 10 | 49,0 | 33,0 | 17 | 6,0 x 1,5 |
| PN 04 AOL 08 90 | 5 | 3 | 3/16" | M 16 x 1,5 | 10 | 49,0 | 33,0 | 19 | 7,5 x 1,5 |
| PN 06 AOL 04 90 | 6 | 4 | 1/4" | M 12 x 1,5 | 6 | 57,0 | 30,5 | 14 | 4,0 x 1,5 |
| PN 06 AOL 90 | 6 | 4 | 1/4" | M 14 x 1,5 | 8 | 55,0 | 30,5 | 17 | 6,0 x 1,5 |
| PN 06 AOL 90 L 50 | 6 | 4 | 1/4" | M 14 x 1,5 | 8 | 55,0 | 50,0 | 17 | 6,0 x 1,5 |
| PN 06 AOL 90 L 55 | 6 | 4 | 1/4" | M 14 x 1,5 | 8 | 55,0 | 55,0 | 17 | 6,0 x 1,5 |
| PN 06 AOL 08 90 | 6 | 4 | 1/4" | M 16 x 1,5 | 10 | 55,0 | 33,0 | 19 | 7,5 x 1,5 |
| PN 06 AOL 08 90 L 60 | 6 | 4 | 1/4" | M 16 x 1,5 | 10 | 55,0 | 60,0 | 19 | 7,5 x 1,5 |
| PN 06 AOL 10 90 | 6 | 4 | 1/4" | M 18 x 1,5 | 12 | 62,5 | 32,0 | 22 | 9,0 x 1,5 |
| PN 08 AOL 06 90 | 8 | 5 | 5/16" | M 14 x 1,5 | 8 | 54,0 | 31,5 | 17 | 6,0 x 1,5 |
| PN 08 AOL 90 | 8 | 5 | 5/16" | M 16 x 1,5 | 10 | 58,0 | 31,5 | 19 | 7,5 x 1,5 |
| PN 08 AOL 90 L 42 | 8 | 5 | 5/16" | M 16 x 1,5 | 10 | 58,0 | 42,0 | 19 | 7,5 x 1,5 |
| PN 08 AOL 10 90 | 8 | 5 | 5/16" | M 18 x 1,5 | 12 | 58,0 | 32,5 | 22 | 9,0 x 1,5 |
| PN 10 AOL 08 90 | 10 | 6 | 3/8" | M 16 x 1,5 | 10 | 63,0 | 40,5 | 19 | 7,5 x 1,5 |
| PN 10 AOL 90 | 10 | 6 | 3/8" | M 18 x 1,5 | 12 | 64,0 | 37,0 | 22 | 9,0 x 1,5 |
| PN 10 AOL 90 L 50 | 10 | 6 | 3/8" | M 18 x 1,5 | 12 | 64,0 | 50,0 | 22 | 9,0 x 1,5 |
| PN 10 AOL 90 L 60 | 10 | 6 | 3/8" | M 18 x 1,5 | 12 | 64,0 | 60,0 | 22 | 9,0 x 1,5 |
| PN 10 AOL 90 L 70 | 10 | 6 | 3/8" | M 18 x 1,5 | - | 64,0 | 70,0 | 22 | 9,0 x 1,5 |
| PN 10 AOL 90 L 75 | 10 | 6 | 3/8" | M 18 x 1,5 | 12 | 64,0 | 75,0 | 22 | 9,0 x 1,5 |
| PN 10 AOL 13 90 | 10 | 6 | 3/8" | M 22 x 1,5 | 15 | 71,5 | 41,5 | 27 | 12,0 x 2,0 |
| PN 13 AOL 10 90 | 12 | 8 | 1/2" | M 18 x 1,5 | 12 | 71,5 | 50,5 | 22 | 9,0 x 1,5 |
| PN 13 AOL 90 | 12 | 8 | 1/2" | M 22 x 1,5 | 15 | 72,5 | 41,5 | 27 | 12,0 x 2,0 |
| PN 13 AOL 90 L 60 | 12 | 8 | 1/2" | M 22 x 1,5 | 15 | 88,0 | 60,0 | 27 | 12,0 x 2,0 |
| PN 13 AOL 90 L 77 | 12 | 8 | 1/2" | M 22 x 1,5 | 15 | 72,5 | 77,0 | 27 | 12,0 x 2,0 |
| PN 13 AOL 16 90 | 12 | 8 | 1/2" | M 26 x 1,5 | 18 | 83,5 | 50,5 | 32 | 15,0 x 2,0 |
| PN 16 AOL 13 90 | 16 | 10 | 5/8" | M 22 x 1,5 | 15 | 87,0 | 50,5 | 27 | 12,0 x 2,0 |
| PN 16 AOL 90 | 16 | 10 | 5/8" | M 26 x 1,5 | 18 | 88,0 | 50,5 | 32 | 15,0 x 2,0 |
| PN 16 AOL 20 90 | 16 | 10 | 5/8" | M 30 x 2 | 22 | 93,0 | 54,5 | 36 | 20,0 x 2,0 |
| PN 20 AOL 16 90 | 19 | 12 | 3/4" | M 26 x 1,5 | 18 | 93,5 | 66,0 | 32 | 15,0 x 2,0 |
| PN 20 AOL 90 | 19 | 12 | 3/4" | M 30 x 2 | 22 | 99,5 | 54,5 | 36 | 20,0 x 2,0 |
| PN 20 AOL 90 L 60 | 19 | 12 | 3/4" | M 30 x 2 | 22 | 109,0 | 60,0 | 36 | 20,0 x 2,0 |
| PN 20 AOL 90 L 75 | 19 | 12 | 3/4" | M 30 x 2 | 22 | 111,0 | 75,0 | 36 | 20,0 x 2,0 |
| PN 20 AOL 90 L 100 | 19 | 12 | 3/4" | M 30 x 2 | 22 | 109,0 | 100,0 | 36 | 20,0 x 2,0 |
| PN 20 AOL 90 L 120 | 19 | 12 | 3/4" | M 30 x 2 | 22 | 111,0 | 120,0 | 36 | 20,0 x 2,0 |
| PN 20 AOL 25 90 | 19 | 12 | 3/4" | M 36 x 2 | 28 | 119,0 | 66,0 | 41 | 26,0 x 2,0 |
| PN 25 AOL 20 90 | 25 | 16 | 1" | M 30 x 2 | 22 | 106,5 | 66,0 | 36 | 20,0 x 2,0 |
| PN 25 AOL 90 | 25 | 16 | 1" | M 36 x 2 | 28 | 127,0 | 66,0 | 41 | 26,0 x 2,0 |
| PN 25 AOL 90 L 72 | 25 | 16 | 1" | M 36 x 2 | 28 | 125,0 | 72,0 | 41 | 26,0 x 2,0 |
| PN 25 AOL 90 L 100 | 25 | 16 | 1" | M 36 x 2 | 28 | 125,0 | 100,0 | 41 | 26,0 x 2,0 |
| PN 25 AOL 90 L 150 | 25 | 16 | 1" | M 36 x 2 | 28 | 125,0 | 150,0 | 41 | 26,0 x 2,0 |
| PN 25 AOL 32 90 | 25 | 16 | 1" | M 45 x 2 | 35 | 142,5 | 82,0 | 50 | 32,0 x 2,5 |
| PN 32 AOL 25 90 | 31 | 20 | 1.1/4" | M 36 x 2 | 28 | 135,0 | 82,0 | 41 | 26,0 x 2,0 |
| PN 32 AOL 90 | 31 | 20 | 1.1/4" | M 45 x 2 | 35 | 151,5 | 82,0 | 50 | 32,0 x 2,5 |
| PN 32 AOL 90 L 98 | 31 | 20 | 1.1/4" | M 45 x 2 | 35 | 144,0 | 98,0 | 50 | 32,0 x 2,5 |
| PN 32 AOL 40 90 | 31 | 20 | 1.1/4" | M 52 x 2 | 42 | 173,0 | 95,0 | 60 | 38,0 x 2,5 |



Artikel

| Bezeichnung | DN | Size | Zoll | G1 | für Rohr-Außen-Ø (mm) | L1 (mm) | L2 (mm) | S1 | OR |
|-----------------|----|------|--------|----------|--------------------------|------------|------------|----|------------|
| PN 40 AOL 32 90 | 38 | 24 | 1.1/2" | M 45 x 2 | 35 | 154,0 | 95,0 | 50 | 32,0 x 2,5 |
| PN 40 AOL 90 | 38 | 24 | 1.1/2" | M 52 x 2 | 42 | 176,5 | 95,0 | 60 | 38,0 x 2,5 |

Produktvarianten

PN AOL 90 VA Pressnippel, DKOL W90°, Edelstahl