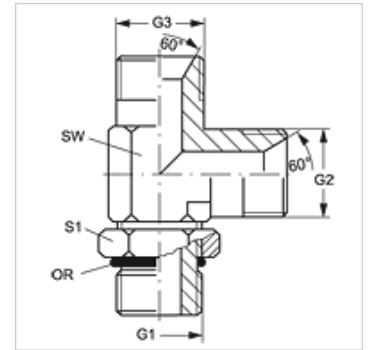


# L HRO HB

## Einschraub-Stutzen, L-Form

### Eigenschaften

<b>Anschluss 1</b>	BSP-Außengewinde zylindrisch
<b>Dichtform 1</b>	Form G
<b>Anschluss 2 + 3</b>	BSP-Außengewinde zylindrisch
<b>Dichtform 2 + 3</b>	60° Innenkonus
<b>Bauart</b>	Einschraub-Stutzen
<b>Bauform</b>	L-Form
<b>Werkstoff</b>	Stahl
<b>Oberfläche</b>	galvanisch beschichtet



### Artikel

Bezeichnung	G1	G2 + G3	SW (mm)	S1	OR
L HRO 02 HB	G 1/8" -28	G 1/8" -28	11	16	7,65 x 1,78
L HRO 04 HB 02	G 1/4" -19	G 1/8" -28	14	20	10,78 x 2,62
L HRO 04 HB	G 1/4" -19	G 1/4" -19	14	20	10,78 x 2,62
L HRO 04 HB 06	G 1/4" -19	G 3/8" -19	19	20	10,78 x 2,62
L HRO 06 HB 04	G 3/8" -19	G 1/4" -19	19	24	13,94 x 2,62
L HRO 06 HB	G 3/8" -19	G 3/8" -19	19	24	13,94 x 2,62
L HRO 06 HB 08	G 3/8" -19	G 1/2" -14	22	24	13,94 x 2,62
L HRO 08 HB 06	G 1/2" -14	G 3/8" -19	22	28	17,86 x 2,62
L HRO 08 HB	G 1/2" -14	G 1/2" -14	22	28	17,86 x 2,62
L HRO 08 HB 10	G 1/2" -14	G 5/8" -14	22	28	17,86 x 2,62
L HRO 08 HB 12	G 1/2" -14	G 3/4" -14	27	28	17,86 x 2,62
L HRO 12 HB 08	G 3/4" -14	G 1/2" -14	27	35	23,47 x 2,62
L HRO 12 HB	G 3/4" -14	G 3/4" -14	27	35	23,47 x 2,62
L HRO 12 HB 16	G 3/4" -14	G 1" -11	33	35	23,47 x 2,62
L HRO 16 HB 12	G 1" -11	G 3/4" -14	33	43	29,74 x 3,53
L HRO 16 HB	G 1" -11	G 1" -11	33	43	29,74 x 3,53
L HRO 20 HB 16	G 1.1/4" -11	G 1" -11	41	52	37,69 x 3,53
L HRO 20 HB	G 1.1/4" -11	G 1.1/4" -11	41	52	37,69 x 3,53
L HRO 24 HB	G 1.1/2" -11	G 1.1/2" -11	48	58	44,04 x 3,53

SW = Schlüsselweite