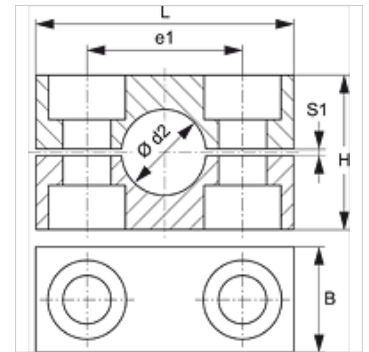


## Eigenschaften

|                      |                              |
|----------------------|------------------------------|
| <b>Bauart</b>        | Einrohrschelle               |
| <b>Bauart-Zusatz</b> | Innenseite der Schelle glatt |
| <b>Baureihe</b>      | schwer                       |
| <b>Norm</b>          | DIN 3015-2                   |
| <b>Temp. min.</b>    | -30 °C                       |
| <b>Temp. max.</b>    | 90 °C                        |
| <b>Werkstoff</b>     | Polypropylen                 |



## Hinweis

Für die Halterung von Schläuchen und Kabeln wird die Verwendung von Schellen mit glatter Innenfläche empfohlen. Die Montage erfolgt dann ohne Vorspannung, wodurch sich die Blockhöhe H um das Spaltmaß S1 verringert.

## Bestellhinweise

1 Stück = 2 Schellenhälften

## Artikel

| Bezeichnung     | Schellengröße | Rohr-Außen Ø d2<br>(mm) | Rohr-Außen Ø d2 | B<br>(mm) | e1<br>(mm) | H<br>(mm) | L<br>(mm) | S1<br>(mm) |
|-----------------|---------------|-------------------------|-----------------|-----------|------------|-----------|-----------|------------|
| SRS 3006 PP G   | 1             | 6,0                     | -               | 30        | 33         | 32        | 56        | 2          |
| SRS 3008 PP G   | 1             | 8,0                     | 5/16"           | 30        | 33         | 32        | 56        | 2          |
| SRS 3010 PP G   | 1             | 10,0                    | -               | 30        | 33         | 32        | 56        | 2          |
| SRS 3012 PP G   | 1             | 12,0                    | -               | 30        | 33         | 32        | 56        | 2          |
| SRS 3012.7 PP G | 1             | 12,7                    | 1/2"            | 30        | 33         | 32        | 56        | 2          |
| SRS 3013.5 PP G | 1             | 13,5                    | -               | 30        | 33         | 32        | 56        | 2          |
| SRS 3014 PP G   | 1             | 14,0                    | -               | 30        | 33         | 32        | 56        | 2          |
| SRS 3015 PP G   | 1             | 15,0                    | -               | 30        | 33         | 32        | 56        | 2          |
| SRS 3016 PP G   | 1             | 16,0                    | 5/8"            | 30        | 33         | 32        | 56        | 2          |
| SRS 3017.2 PP G | 1             | 17,2                    | -               | 30        | 33         | 32        | 56        | 2          |
| SRS 3018 PP G   | 1             | 18,0                    | -               | 30        | 33         | 32        | 56        | 2          |
| SRS 4019 PP G   | 2             | 19,0                    | 3/4"            | 30        | 45         | 48        | 71        | 2          |
| SRS 4020 PP G   | 2             | 20,0                    | -               | 30        | 45         | 48        | 71        | 2          |
| SRS 4021.3 PP G | 2             | 21,3                    | -               | 30        | 45         | 48        | 71        | 2          |
| SRS 4022 PP G   | 2             | 22,0                    | -               | 30        | 45         | 48        | 71        | 2          |
| SRS 4023 PP G   | 2             | 23,0                    | -               | 30        | 45         | 48        | 71        | 2          |
| SRS 4025 PP G   | 2             | 25,0                    | 1"              | 30        | 45         | 48        | 71        | 2          |
| SRS 4026.9 PP G | 2             | 26,9                    | -               | 30        | 45         | 48        | 71        | 2          |
| SRS 4028 PP G   | 2             | 28,0                    | -               | 30        | 45         | 48        | 71        | 2          |
| SRS 4030 PP G   | 2             | 30,0                    | -               | 30        | 45         | 48        | 71        | 2          |
| SRS 5030 PP G   | 3             | 30,0                    | -               | 30        | 60         | 60        | 86        | 2          |
| SRS 5032 PP G   | 3             | 32,0                    | 1.1/4"          | 30        | 60         | 60        | 86        | 2          |
| SRS 5033.7 PP G | 3             | 33,7                    | -               | 30        | 60         | 60        | 86        | 2          |
| SRS 5035 PP G   | 3             | 35,0                    | -               | 30        | 60         | 60        | 86        | 2          |
| SRS 5038 PP G   | 3             | 38,0                    | 1.1/2"          | 30        | 60         | 60        | 86        | 2          |
| SRS 5040 PP G   | 3             | 40,0                    | -               | 30        | 60         | 60        | 86        | 2          |
| SRS 5042 PP G   | 3             | 42,0                    | -               | 30        | 60         | 60        | 86        | 2          |
| SRS 6038 PP G   | 4             | 38,0                    | 1.1/2"          | 45        | 90         | 90        | 117       | 3          |
| SRS 6040 PP G   | 4             | 40,0                    | -               | 45        | 90         | 90        | 117       | 3          |
| SRS 6042 PP G   | 4             | 42,0                    | -               | 45        | 90         | 90        | 117       | 3          |
| SRS 6045 PP G   | 4             | 45,0                    | -               | 45        | 90         | 90        | 117       | 3          |
| SRS 6048.3 PP G | 4             | 48,3                    | -               | 45        | 90         | 90        | 117       | 3          |
| SRS 6050 PP G   | 4             | 50,0                    | -               | 45        | 90         | 90        | 117       | 3          |
| SRS 6051 PP G   | 4             | 51,0                    | 2"              | 45        | 90         | 90        | 117       | 3          |
| SRS 6052 PP G   | 4             | 52,0                    | -               | 45        | 90         | 90        | 117       | 3          |
| SRS 6055 PP G   | 4             | 55,0                    | -               | 45        | 90         | 90        | 117       | 3          |
| SRS 6057 PP G   | 4             | 57,0                    | 2.1/4"          | 45        | 90         | 90        | 117       | 3          |
| SRS 6060.3 PP G | 4             | 60,3                    | -               | 45        | 90         | 90        | 117       | 3          |
| SRS 6063 PP G   | 4             | 63,0                    | 2.1/2"          | 45        | 90         | 90        | 117       | 3          |
| SRS 6065 PP G   | 4             | 65,0                    | -               | 45        | 90         | 90        | 117       | 3          |
| SRS 6070 PP G   | 4             | 70,0                    | -               | 45        | 90         | 90        | 117       | 3          |



## Produktvarianten

|                      |  |
|----------------------|--|
| <b>SRS 30-100 AL</b> | Rohrschelle, schwere Baureihe, Innenseite der Schelle mit Rippen |
| <b>SRS 30-100 PA</b> | Rohrschelle, schwere Baureihe, Innenseite der Schelle mit Rippen |
| <b>SRS 30-100 PP</b> | Rohrschelle, schwere Baureihe, Innenseite der Schelle mit Rippen |
| <b>SRS 30-100 VG</b> | Rohrschelle, schwere Baureihe, Innenseite der Schelle mit Rippen |