

O-Ringschnur 75° Shore FPM

O-Ringschnur, 75SH FPM

HANSA FLEX

Eigenschaften

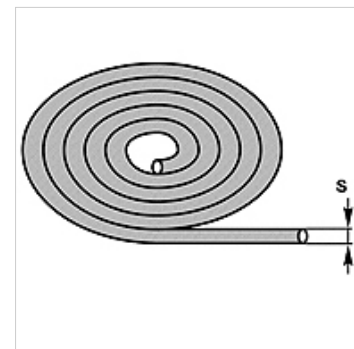
Bauart O-Ringschnur

Farbe schwarz

Temp. min. -15 °C

Temp. max. 200 °C

Werkstoff FPM 75 Shore



Artikel

Bezeichnung	S (mm)	Toleranz
OR 178 FPM 75	1,78	+/- 0.20 mm
OR 240 FPM 75	2,40	+/- 0.20 mm
OR 250 FPM 75	2,50	+/- 0.20 mm
OR 300 FPM 75	3,00	+/- 0.25 mm
OR 400 FPM 75	4,00	+/- 0.30 mm
OR 450 FPM 75	4,50	+/- 0.30 mm
OR 500 FPM 75	5,00	+/- 0.30 mm
OR 534 FPM 75	5,34	+/- 0.30 mm
OR 570 FPM 75	5,70	+/- 0.30 mm
OR 600 FPM 75	6,00	+/- 0.30 mm
OR 700 FPM 75	7,00	+/- 0.40 mm
OR 800 FPM 75	8,00	+/- 0.40 mm
OR 900 FPM 75	9,00	+/- 0.40 mm