

# SAE O-RING V

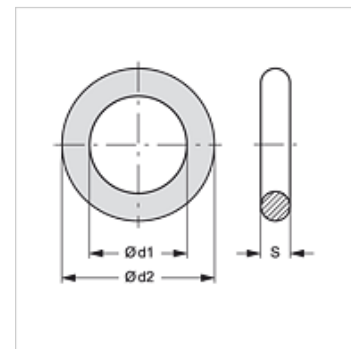
SAE-O-Ring FKM

## Eigenschaften

Temp. min. -15 °C

Temp. max. 200 °C

Werkstoff FKM SH 90 ( Viton )



## Artikel

| Bezeichnung        | Flanschgröße | Ø d1<br>(mm) | S<br>(mm) |
|--------------------|--------------|--------------|-----------|
| SAE O-RING 1/2 V   | 1/2"         | 18,64        | 3,53      |
| SAE O-RING 3/4 V   | 3/4"         | 24,99        | 3,53      |
| SAE O-RING 1 V     | 1"           | 32,92        | 3,53      |
| SAE O-RING 1 1/4 V | 1.1/4"       | 37,69        | 3,53      |
| SAE O-RING 1 1/2 V | 1.1/2"       | 47,22        | 3,53      |
| SAE O-RING 2 V     | 2"           | 56,74        | 3,53      |
| SAE O-RING 2 1/2 V | 2.1/2"       | 69,44        | 3,53      |
| SAE O-RING 3 V     | 3"           | 85,32        | 3,53      |
| SAE O-RING 3 1/2 V | 3.1/2"       | 98,02        | 3,53      |
| SAE O-RING 4 V     | 4"           | 110,72       | 3,53      |

## Produktvarianten

SAE O-RING SAE-O-Ring, NBR SH 90