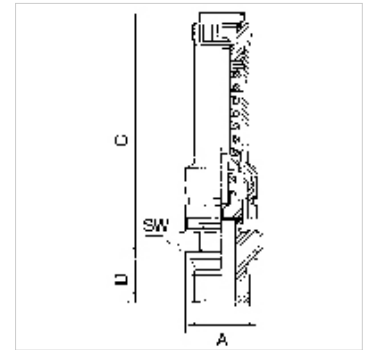


K-SHV DN10

Sicherheitsventile DN 10

Eigenschaften

Betriebsdruck	siehe Ansprechdruck
Betriebstemperatur	-25 °C bis +180 °C
Dichtungen	FKM
Druckfeder	Edelstahl
Gehäuse	Messing
Weitere Angaben	Bedienungsanleitung auf Anfrage



Hinweis

G-Gewinde nach DIN EN ISO 228-1, mit ISO-Anflanschplatte (nach ISO 5211)

Beschreibung

Für Druckluft und ungiftige, nicht brennbare Gase, frei abblasend, deshalb nicht für Flüssigkeiten verwendbar, nicht geeignet für Wasserdampf! Die Ventile sind TÜV-zugelassen und haben eine TÜV-Bauteilprüfnummer.

Zusätzliche Informationen

Wichtiger Hinweis: Diese Ventile sind baumustergeprüft und dürfen nur fest eingestellt ausgeliefert werden.

Artikel

Bezeichnung	Gewinde	Ansprechdruck	A (mm)	C (mm)	D (mm)	SW (mm)
K- 07 30 03 60	G 3/8"	0,2 bar	22,0	75,0	12,0	27
K- 07 30 03 61	G 3/8"	0,25 bar	22,0	75,0	12,0	27
K- 07 30 03 62	G 3/8"	0,3 bar	22,0	75,0	12,0	27
K- 07 30 03 63	G 3/8"	0,4 bar	22,0	75,0	12,0	27
K- 07 30 03 64	G 3/8"	0,5 bar	22,0	75,0	12,0	27
K- 07 30 03 65	G 3/8"	0,6 bar	22,0	75,0	12,0	27
K- 07 30 03 66	G 3/8"	0,7 bar	22,0	75,0	12,0	27
K- 07 30 03 67	G 3/8"	0,8 bar	22,0	75,0	12,0	27
K- 07 30 03 68	G 3/8"	1,0 bar	22,0	75,0	12,0	27
K- 07 30 03 69	G 3/8"	1,1 bar	22,0	75,0	12,0	27
K- 07 30 03 70	G 3/8"	1,2 bar	22,0	75,0	12,0	27
K- 07 30 03 71	G 3/8"	1,3 bar	22,0	75,0	12,0	27
K- 07 30 03 72	G 3/8"	1,5 bar	22,0	75,0	12,0	27
K- 07 30 03 73	G 3/8"	1,7 bar	22,0	75,0	12,0	27
K- 07 30 03 74	G 3/8"	1,8 bar	22,0	75,0	12,0	27
K- 07 30 03 97	G 3/8"	2,0 bar	22,0	75,0	12,0	27
K- 07 30 03 98	G 3/8"	2,1 bar	22,0	75,0	12,0	27
K- 07 30 03 99	G 3/8"	2,3 bar	22,0	75,0	12,0	27
K- 07 30 04 00	G 3/8"	2,5 bar	22,0	75,0	12,0	27
K- 07 30 04 01	G 3/8"	2,6 bar	22,0	75,0	12,0	27
K- 07 30 04 02	G 3/8"	2,8 bar	22,0	75,0	12,0	27
K- 07 30 04 19	G 3/8"	3,0 bar	22,0	75,0	12,0	27
K- 07 30 04 20	G 3/8"	3,2 bar	22,0	75,0	12,0	27
K- 07 30 04 21	G 3/8"	3,3 bar	22,0	75,0	12,0	27
K- 07 30 04 22	G 3/8"	3,4 bar	22,0	75,0	12,0	27
K- 07 30 04 23	G 3/8"	3,5 bar	22,0	75,0	12,0	27
K- 07 30 04 24	G 3/8"	3,6 bar	22,0	75,0	12,0	27
K- 07 30 04 25	G 3/8"	3,8 bar	22,0	75,0	12,0	27
K- 07 30 04 26	G 3/8"	3,9 bar	22,0	75,0	12,0	27
K- 07 30 04 38	G 3/8"	4,0 bar	22,0	75,0	12,0	27
K- 07 30 04 40	G 3/8"	4,2 bar	22,0	75,0	12,0	27
K- 07 30 04 41	G 3/8"	4,4 bar	22,0	75,0	12,0	27
K- 07 30 04 42	G 3/8"	4,5 bar	22,0	75,0	12,0	27
K- 07 30 04 43	G 3/8"	4,6 bar	22,0	75,0	12,0	27
K- 07 30 04 44	G 3/8"	4,7 bar	22,0	75,0	12,0	27
K- 07 30 04 45	G 3/8"	4,9 bar	22,0	75,0	12,0	27
K- 07 30 04 51	G 3/8"	5,0 bar	22,0	75,0	12,0	27



Artikel

Bezeichnung	Gewinde	Ansprechdruck	A (mm)	C (mm)	D (mm)	SW (mm)
K- 07 30 04 52	G 3/8"	5,5 bar	22,0	75,0	12,0	27
K- 07 30 04 53	G 3/8"	5,7 bar	22,0	75,0	12,0	27
K- 07 30 04 54	G 3/8"	5,8 bar	22,0	75,0	12,0	27
K- 07 30 04 56	G 3/8"	6,0 bar	22,0	75,0	12,0	27
K- 07 30 04 57	G 3/8"	6,2 bar	22,0	75,0	12,0	27
K- 07 30 04 58	G 3/8"	6,4 bar	22,0	75,0	12,0	27
K- 07 30 04 59	G 3/8"	6,5 bar	22,0	75,0	12,0	27
K- 07 30 04 60	G 3/8"	6,6 bar	22,0	75,0	12,0	27
K- 07 30 04 61	G 3/8"	7,0 bar	22,0	75,0	12,0	27
K- 07 30 04 62	G 3/8"	7,5 bar	22,0	75,0	12,0	27
K- 07 30 04 63	G 3/8"	7,7 bar	22,0	75,0	12,0	27
K- 07 30 04 64	G 3/8"	7,8 bar	22,0	75,0	12,0	27
K- 07 30 04 65	G 3/8"	8,0 bar	22,0	75,0	12,0	27
K- 07 30 04 66	G 3/8"	8,1 bar	22,0	75,0	12,0	27
K- 07 30 04 67	G 3/8"	8,4 bar	22,0	75,0	12,0	27
K- 07 30 04 68	G 3/8"	8,5 bar	22,0	75,0	12,0	27
K- 07 30 04 69	G 3/8"	8,7 bar	22,0	95,0	12,0	27
K- 07 30 04 70	G 3/8"	8,8 bar	22,0	95,0	12,0	27
K- 07 30 04 71	G 3/8"	9,0 bar	22,0	95,0	12,0	27
K- 07 30 04 72	G 3/8"	9,1 bar	22,0	95,0	12,0	27
K- 07 30 04 73	G 3/8"	9,3 bar	22,0	95,0	12,0	27
K- 07 30 04 74	G 3/8"	9,5 bar	22,0	95,0	12,0	27
K- 07 30 04 75	G 3/8"	9,8 bar	22,0	95,0	12,0	27
K- 07 30 04 76	G 3/8"	9,9 bar	22,0	95,0	12,0	27
K- 07 30 03 75	G 3/8"	10,0 bar	22,0	95,0	12,0	27
K- 07 30 03 76	G 3/8"	10,3 bar	22,0	95,0	12,0	27
K- 07 30 03 77	G 3/8"	10,4 bar	22,0	95,0	12,0	27
K- 07 30 03 78	G 3/8"	10,5 bar	22,0	95,0	12,0	27
K- 07 30 03 79	G 3/8"	10,8 bar	22,0	95,0	12,0	27
K- 07 30 03 80	G 3/8"	11,0 bar	22,0	95,0	12,0	27
K- 07 30 03 81	G 3/8"	11,3 bar	22,0	95,0	12,0	27
K- 07 30 03 82	G 3/8"	11,5 bar	22,0	95,0	12,0	27
K- 07 30 03 83	G 3/8"	12,0 bar	22,0	95,0	12,0	27
K- 07 30 03 84	G 3/8"	12,5 bar	22,0	95,0	12,0	27
K- 07 30 03 86	G 3/8"	13,5 bar	22,0	95,0	12,0	27
K- 07 30 03 85	G 3/8"	13,0 bar	22,0	95,0	12,0	27
K- 07 30 03 87	G 3/8"	14,0 bar	22,0	95,0	12,0	27
K- 07 30 03 88	G 3/8"	15,0 bar	22,0	95,0	12,0	27
K- 07 30 03 89	G 3/8"	15,5 bar	22,0	95,0	12,0	27
K- 07 30 03 90	G 3/8"	15,8 bar	22,0	95,0	12,0	27
K- 07 30 03 91	G 3/8"	16,0 bar	22,0	95,0	12,0	27
K- 07 30 03 92	G 3/8"	16,5 bar	22,0	95,0	12,0	27
K- 07 30 03 93	G 3/8"	17,0 bar	22,0	95,0	12,0	27
K- 07 30 03 94	G 3/8"	17,5 bar	22,0	95,0	12,0	27
K- 07 30 03 95	G 3/8"	18,0 bar	22,0	95,0	12,0	27
K- 07 30 03 96	G 3/8"	19,0 bar	22,0	95,0	12,0	27
K- 07 30 04 03	G 3/8"	20,0 bar	22,0	95,0	12,0	27
K- 07 30 04 04	G 3/8"	20,5 bar	22,0	95,0	12,0	27
K- 07 30 04 05	G 3/8"	21,0 bar	22,0	95,0	12,0	27
K- 07 30 04 06	G 3/8"	21,5 bar	22,0	95,0	12,0	27
K- 07 30 04 07	G 3/8"	22,0 bar	22,0	95,0	12,0	27
K- 07 30 04 08	G 3/8"	22,5 bar	22,0	95,0	12,0	27
K- 07 30 04 09	G 3/8"	23,5 bar	22,0	95,0	12,0	27
K- 07 30 04 10	G 3/8"	24,5 bar	22,0	95,0	12,0	27
K- 07 30 04 11	G 3/8"	25,0 bar	22,0	95,0	12,0	27
K- 07 30 04 12	G 3/8"	25,5 bar	22,0	95,0	12,0	27
K- 07 30 04 13	G 3/8"	26,0 bar	22,0	95,0	12,0	27
K- 07 30 04 14	G 3/8"	26,6 bar	22,0	95,0	12,0	27
K- 07 30 04 15	G 3/8"	27,0 bar	22,0	95,0	12,0	27
K- 07 30 04 16	G 3/8"	27,5 bar	22,0	95,0	12,0	27
K- 07 30 04 17	G 3/8"	28,0 bar	22,0	95,0	12,0	27
K- 07 30 04 18	G 3/8"	28,5 bar	22,0	95,0	12,0	27
K- 07 30 04 27	G 3/8"	30,0 bar	22,0	95,0	12,0	27



Artikel

Bezeichnung	Gewinde	Ansprechdruck	A (mm)	C (mm)	D (mm)	SW (mm)
K- 07 30 04 28	G 3/8"	30,5 bar	22,0	95,0	12,0	27
K- 07 30 04 29	G 3/8"	31,0 bar	22,0	95,0	12,0	27
K- 07 30 04 30	G 3/8"	32,0 bar	22,0	95,0	12,0	27
K- 07 30 04 31	G 3/8"	32,5 bar	22,0	95,0	12,0	27
K- 07 30 04 32	G 3/8"	35,0 bar	22,0	95,0	12,0	27
K- 07 30 04 33	G 3/8"	35,5 bar	22,0	95,0	12,0	27
K- 07 30 04 34	G 3/8"	36,0 bar	22,0	95,0	12,0	27
K- 07 30 04 35	G 3/8"	36,5 bar	22,0	95,0	12,0	27
K- 07 30 04 36	G 3/8"	37,0 bar	22,0	95,0	12,0	27
K- 07 30 04 37	G 3/8"	38,0 bar	22,0	95,0	12,0	27
K- 07 30 04 46	G 3/8"	40,0 bar	22,0	95,0	12,0	27
K- 07 30 04 47	G 3/8"	41,0 bar	22,0	120,0	12,0	27
K- 07 30 04 48	G 3/8"	42,0 bar	22,0	120,0	12,0	27
K- 07 30 04 49	G 3/8"	45,0 bar	22,0	120,0	12,0	27
K- 07 30 04 50	G 3/8"	46,0 bar	22,0	120,0	12,0	27
K- 07 30 04 55	G 3/8"	50,0 bar	22,0	120,0	12,0	27
K- 07 30 04 77	G 1/2"	0,2 bar	26,0	75,0	14,0	27
K- 07 30 04 78	G 1/2"	0,3 bar	26,0	75,0	14,0	27
K- 07 30 04 79	G 1/2"	0,35 bar	26,0	75,0	14,0	27
K- 07 30 04 80	G 1/2"	0,4 bar	26,0	75,0	14,0	27
K- 07 30 04 81	G 1/2"	0,45 bar	26,0	75,0	14,0	27
K- 07 30 04 82	G 1/2"	0,5 bar	26,0	75,0	14,0	27
K- 07 30 04 83	G 1/2"	0,55 bar	26,0	75,0	14,0	27
K- 07 30 04 84	G 1/2"	0,6 bar	26,0	75,0	14,0	27
K- 07 30 04 85	G 1/2"	0,7 bar	26,0	75,0	14,0	27
K- 07 30 04 86	G 1/2"	0,8 bar	26,0	75,0	14,0	27
K- 07 30 04 87	G 1/2"	0,9 bar	26,0	75,0	14,0	27
K- 07 30 04 88	G 1/2"	1,0 bar	26,0	75,0	14,0	27
K- 07 30 04 89	G 1/2"	1,1 bar	26,0	75,0	14,0	27
K- 07 30 04 90	G 1/2"	1,2 bar	26,0	75,0	14,0	27
K- 07 30 04 91	G 1/2"	1,3 bar	26,0	75,0	14,0	27
K- 07 30 04 92	G 1/2"	1,4 bar	26,0	75,0	14,0	27
K- 07 30 04 93	G 1/2"	1,5 bar	26,0	75,0	14,0	27
K- 07 30 04 94	G 1/2"	1,6 bar	26,0	75,0	14,0	27
K- 07 30 04 95	G 1/2"	1,7 bar	26,0	75,0	14,0	27
K- 07 30 04 96	G 1/2"	1,8 bar	26,0	75,0	14,0	27
K- 07 30 05 28	G 1/2"	2,0 bar	26,0	75,0	14,0	27
K- 07 30 05 29	G 1/2"	2,1 bar	26,0	75,0	14,0	27
K- 07 30 05 30	G 1/2"	2,2 bar	26,0	75,0	14,0	27
K- 07 30 05 31	G 1/2"	2,3 bar	26,0	75,0	14,0	27
K- 07 30 05 32	G 1/2"	2,4 bar	26,0	75,0	14,0	27
K- 07 30 05 33	G 1/2"	2,5 bar	26,0	75,0	14,0	27
K- 07 30 05 34	G 1/2"	2,7 bar	26,0	75,0	14,0	27
K- 07 30 05 35	G 1/2"	2,8 bar	26,0	75,0	14,0	27
K- 07 30 05 58	G 1/2"	3,0 bar	26,0	75,0	14,0	27
K- 07 30 05 59	G 1/2"	3,1 bar	26,0	75,0	14,0	27
K- 07 30 05 60	G 1/2"	3,2 bar	26,0	75,0	14,0	27
K- 07 30 05 61	G 1/2"	3,3 bar	26,0	75,0	14,0	27
K- 07 30 05 62	G 1/2"	3,4 bar	26,0	75,0	14,0	27
K- 07 30 05 63	G 1/2"	3,5 bar	26,0	75,0	14,0	27
K- 07 30 05 64	G 1/2"	3,8 bar	26,0	75,0	14,0	27
K- 07 30 05 82	G 1/2"	4,0 bar	26,0	75,0	14,0	27
K- 07 30 05 83	G 1/2"	4,1 bar	26,0	75,0	14,0	27
K- 07 30 05 84	G 1/2"	4,2 bar	26,0	75,0	14,0	27
K- 07 30 05 85	G 1/2"	4,5 bar	26,0	75,0	14,0	27
K- 07 30 05 86	G 1/2"	4,7 bar	26,0	75,0	14,0	27
K- 07 30 05 87	G 1/2"	4,8 bar	26,0	75,0	14,0	27
K- 07 30 05 98	G 1/2"	5,0 bar	26,0	75,0	14,0	27
K- 07 30 05 99	G 1/2"	5,1 bar	26,0	75,0	14,0	27
K- 07 30 06 00	G 1/2"	5,2 bar	26,0	75,0	14,0	27
K- 07 30 06 01	G 1/2"	5,3 bar	26,0	75,0	14,0	27
K- 07 30 06 02	G 1/2"	5,4 bar	26,0	75,0	14,0	27
K- 07 30 06 03	G 1/2"	5,5 bar	26,0	75,0	14,0	27



Artikel

Bezeichnung	Gewinde	Ansprechdruck	A (mm)	C (mm)	D (mm)	SW (mm)
K- 07 30 06 04	G 1/2"	5,6 bar	26,0	75,0	14,0	27
K- 07 30 06 05	G 1/2"	5,8 bar	26,0	75,0	14,0	27
K- 07 30 06 07	G 1/2"	6,0 bar	26,0	75,0	14,0	27
K- 07 30 06 08	G 1/2"	6,2 bar	26,0	75,0	14,0	27
K- 07 30 06 09	G 1/2"	6,3 bar	26,0	75,0	14,0	27
K- 07 30 06 10	G 1/2"	6,4 bar	26,0	75,0	14,0	27
K- 07 30 06 11	G 1/2"	6,5 bar	26,0	75,0	14,0	27
K- 07 30 06 12	G 1/2"	6,6 bar	26,0	75,0	14,0	27
K- 07 30 06 13	G 1/2"	6,8 bar	26,0	75,0	14,0	27
K- 07 30 06 14	G 1/2"	6,9 bar	26,0	75,0	14,0	27
K- 07 30 06 15	G 1/2"	7,0 bar	26,0	75,0	14,0	27
K- 07 30 06 16	G 1/2"	7,2 bar	26,0	75,0	14,0	27
K- 07 30 06 17	G 1/2"	7,5 bar	26,0	75,0	14,0	27
K- 07 30 06 18	G 1/2"	7,7 bar	26,0	75,0	14,0	27
K- 07 30 06 19	G 1/2"	8,0 bar	26,0	75,0	14,0	27
K- 07 30 06 20	G 1/2"	8,2 bar	26,0	75,0	14,0	27
K- 07 30 06 21	G 1/2"	8,5 bar	26,0	75,0	14,0	27
K- 07 30 06 22	G 1/2"	8,6 bar	26,0	95,0	14,0	27
K- 07 30 06 23	G 1/2"	8,8 bar	26,0	95,0	14,0	27
K- 07 30 06 24	G 1/2"	9,0 bar	26,0	95,0	14,0	27
K- 07 30 06 25	G 1/2"	9,1 bar	26,0	95,0	14,0	27
K- 07 30 06 26	G 1/2"	9,3 bar	26,0	95,0	14,0	27
K- 07 30 06 27	G 1/2"	9,5 bar	26,0	95,0	14,0	27
K- 07 30 06 28	G 1/2"	9,6 bar	26,0	95,0	14,0	27
K- 07 30 06 29	G 1/2"	9,8 bar	26,0	95,0	14,0	27
K- 07 30 04 97	G 1/2"	10,0 bar	26,0	95,0	14,0	27
K- 07 30 04 98	G 1/2"	10,3 bar	26,0	95,0	14,0	27
K- 07 30 04 99	G 1/2"	10,5 bar	26,0	95,0	14,0	27
K- 07 30 05 01	G 1/2"	11,0 bar	26,0	95,0	14,0	27
K- 07 30 05 02	G 1/2"	11,5 bar	26,0	95,0	14,0	27
K- 07 30 05 03	G 1/2"	11,6 bar	26,0	95,0	14,0	27
K- 07 30 05 04	G 1/2"	12,0 bar	26,0	95,0	14,0	27
K- 07 30 05 05	G 1/2"	12,1 bar	26,0	95,0	14,0	27
K- 07 30 05 06	G 1/2"	12,5 bar	26,0	95,0	14,0	27
K- 07 30 05 07	G 1/2"	13,0 bar	26,0	95,0	14,0	27
K- 07 30 05 08	G 1/2"	13,3 bar	26,0	95,0	14,0	27
K- 07 30 05 09	G 1/2"	13,5 bar	26,0	95,0	14,0	27
K- 07 30 05 10	G 1/2"	14,0 bar	26,0	95,0	14,0	27
K- 07 30 05 11	G 1/2"	14,5 bar	26,0	95,0	14,0	27
K- 07 30 05 12	G 1/2"	15,0 bar	26,0	95,0	14,0	27
K- 07 30 05 13	G 1/2"	15,1 bar	26,0	95,0	14,0	27
K- 07 30 05 14	G 1/2"	15,5 bar	26,0	95,0	14,0	27
K- 07 30 05 15	G 1/2"	15,6 bar	26,0	95,0	14,0	27
K- 07 30 05 16	G 1/2"	15,8 bar	26,0	95,0	14,0	27
K- 07 30 05 17	G 1/2"	16,0 bar	26,0	95,0	14,0	27
K- 07 30 05 18	G 1/2"	16,5 bar	26,0	95,0	14,0	27
K- 07 30 05 19	G 1/2"	17,0 bar	26,0	95,0	14,0	27
K- 07 30 05 20	G 1/2"	17,5 bar	26,0	95,0	14,0	27
K- 07 30 05 21	G 1/2"	17,6 bar	26,0	95,0	14,0	27
K- 07 30 05 22	G 1/2"	18,0 bar	26,0	95,0	14,0	27
K- 07 30 05 23	G 1/2"	18,9 bar	26,0	95,0	14,0	27
K- 07 30 05 24	G 1/2"	19,0 bar	26,0	95,0	14,0	27
K- 07 30 05 25	G 1/2"	19,1 bar	26,0	95,0	14,0	27
K- 07 30 05 26	G 1/2"	19,4 bar	26,0	95,0	14,0	27
K- 07 30 05 27	G 1/2"	19,5 bar	26,0	95,0	14,0	27
K- 07 30 05 36	G 1/2"	20,0 bar	26,0	95,0	14,0	27
K- 07 30 05 37	G 1/2"	20,5 bar	26,0	95,0	14,0	27
K- 07 30 05 38	G 1/2"	20,8 bar	26,0	95,0	14,0	27
K- 07 30 05 39	G 1/2"	21,0 bar	26,0	95,0	14,0	27
K- 07 30 05 40	G 1/2"	22,0 bar	26,0	95,0	14,0	27
K- 07 30 05 41	G 1/2"	22,5 bar	26,0	95,0	14,0	27
K- 07 30 05 42	G 1/2"	23,0 bar	26,0	95,0	14,0	27
K- 07 30 05 43	G 1/2"	23,5 bar	26,0	95,0	14,0	27



Artikel

Bezeichnung	Gewinde	Ansprechdruck	A (mm)	C (mm)	D (mm)	SW (mm)
K- 07 30 05 44	G 1/2"	24,0 bar	26,0	95,0	14,0	27
K- 07 30 05 45	G 1/2"	24,5 bar	26,0	95,0	14,0	27
K- 07 30 05 46	G 1/2"	25,0 bar	26,0	95,0	14,0	27
K- 07 30 05 47	G 1/2"	25,2 bar	26,0	95,0	14,0	27
K- 07 30 05 48	G 1/2"	26,0 bar	26,0	95,0	14,0	27
K- 07 30 05 49	G 1/2"	26,5 bar	26,0	95,0	14,0	27
K- 07 30 05 50	G 1/2"	27,0 bar	26,0	95,0	14,0	27
K- 07 30 05 51	G 1/2"	27,2 bar	26,0	95,0	14,0	27
K- 07 30 05 52	G 1/2"	27,5 bar	26,0	95,0	14,0	27
K- 07 30 05 53	G 1/2"	28,0 bar	26,0	95,0	14,0	27
K- 07 30 05 54	G 1/2"	28,5 bar	26,0	95,0	14,0	27
K- 07 30 05 55	G 1/2"	28,6 bar	26,0	95,0	14,0	27
K- 07 30 05 56	G 1/2"	29,0 bar	26,0	95,0	14,0	27
K- 07 30 05 57	G 1/2"	29,5 bar	26,0	95,0	14,0	27
K- 07 30 05 65	G 1/2"	30,0 bar	26,0	95,0	14,0	27
K- 07 30 05 66	G 1/2"	30,8 bar	26,0	95,0	14,0	27
K- 07 30 05 67	G 1/2"	31,0 bar	26,0	95,0	14,0	27
K- 07 30 05 68	G 1/2"	31,5 bar	26,0	95,0	14,0	27
K- 07 30 05 69	G 1/2"	32,0 bar	26,0	95,0	14,0	27
K- 07 30 05 70	G 1/2"	32,5 bar	26,0	95,0	14,0	27
K- 07 30 05 71	G 1/2"	33,0 bar	26,0	95,0	14,0	27
K- 07 30 05 72	G 1/2"	33,3 bar	26,0	95,0	14,0	27
K- 07 30 05 73	G 1/2"	33,7 bar	26,0	95,0	14,0	27
K- 07 30 05 74	G 1/2"	34,0 bar	26,0	95,0	14,0	27
K- 07 30 05 75	G 1/2"	34,1 bar	26,0	95,0	14,0	27
K- 07 30 05 76	G 1/2"	35,0 bar	26,0	95,0	14,0	27
K- 07 30 05 77	G 1/2"	36,0 bar	26,0	95,0	14,0	27
K- 07 30 05 78	G 1/2"	36,3 bar	26,0	95,0	14,0	27
K- 07 30 05 79	G 1/2"	36,4 bar	26,0	95,0	14,0	27
K- 07 30 05 80	G 1/2"	36,8 bar	26,0	95,0	14,0	27
K- 07 30 05 81	G 1/2"	38,0 bar	26,0	95,0	14,0	27
K- 07 30 05 88	G 1/2"	40,0 bar	26,0	95,0	14,0	27
K- 07 30 05 89	G 1/2"	41,0 bar	26,0	120,0	14,0	27
K- 07 30 05 90	G 1/2"	41,5 bar	26,0	120,0	14,0	27
K- 07 30 05 91	G 1/2"	42,0 bar	26,0	120,0	14,0	27
K- 07 30 05 92	G 1/2"	43,0 bar	26,0	120,0	14,0	27
K- 07 30 05 93	G 1/2"	44,0 bar	26,0	120,0	14,0	27
K- 07 30 05 94	G 1/2"	45,0 bar	26,0	120,0	14,0	27
K- 07 30 05 95	G 1/2"	46,0 bar	26,0	120,0	14,0	27
K- 07 30 05 96	G 1/2"	47,0 bar	26,0	120,0	14,0	27
K- 07 30 05 97	G 1/2"	48,0 bar	26,0	120,0	14,0	27
K- 07 30 06 06	G 1/2"	50,0 bar	26,0	120,0	14,0	27
K- 07 30 06 30	G 3/4"	0,2 bar	32,0	75,0	16,0	32
K- 07 30 06 31	G 3/4"	0,3 bar	32,0	75,0	16,0	32
K- 07 30 06 32	G 3/4"	0,35 bar	32,0	75,0	16,0	32
K- 07 30 06 33	G 3/4"	0,4 bar	32,0	75,0	16,0	32
K- 07 30 06 34	G 3/4"	0,5 bar	32,0	75,0	16,0	32
K- 07 30 06 35	G 3/4"	0,65 bar	32,0	75,0	16,0	32
K- 07 30 06 36	G 3/4"	0,7 bar	32,0	75,0	16,0	32
K- 07 30 06 37	G 3/4"	0,8 bar	32,0	75,0	16,0	32
K- 07 30 06 38	G 3/4"	0,9 bar	32,0	75,0	16,0	32
K- 07 30 06 39	G 3/4"	1,0 bar	32,0	75,0	16,0	32
K- 07 30 06 40	G 3/4"	1,1 bar	32,0	75,0	16,0	32
K- 07 30 06 41	G 3/4"	1,2 bar	32,0	75,0	16,0	32
K- 07 30 06 42	G 3/4"	1,4 bar	32,0	75,0	16,0	32
K- 07 30 06 43	G 3/4"	1,5 bar	32,0	75,0	16,0	32
K- 07 30 06 44	G 3/4"	1,6 bar	32,0	75,0	16,0	32
K- 07 30 06 45	G 3/4"	1,75 bar	32,0	75,0	16,0	32
K- 07 30 06 46	G 3/4"	1,8 bar	32,0	75,0	16,0	32
K- 07 30 06 47	G 3/4"	1,9 bar	32,0	75,0	16,0	32
K- 07 30 06 72	G 3/4"	2,0 bar	32,0	75,0	16,0	32
K- 07 30 06 73	G 3/4"	2,1 bar	32,0	75,0	16,0	32
K- 07 30 06 74	G 3/4"	2,2 bar	32,0	75,0	16,0	32



Artikel

Bezeichnung	Gewinde	Ansprechdruck	A (mm)	C (mm)	D (mm)	SW (mm)
K- 07 30 06 75	G 3/4"	2,3 bar	32,0	75,0	16,0	32
K- 07 30 06 76	G 3/4"	2,4 bar	32,0	75,0	16,0	32
K- 07 30 06 77	G 3/4"	2,5 bar	32,0	75,0	16,0	32
K- 07 30 06 78	G 3/4"	2,7 bar	32,0	75,0	16,0	32
K- 07 30 06 97	G 3/4"	3,0 bar	32,0	75,0	16,0	32
K- 07 30 06 98	G 3/4"	3,2 bar	32,0	75,0	16,0	32
K- 07 30 06 99	G 3/4"	3,3 bar	32,0	75,0	16,0	32
K- 07 30 07 00	G 3/4"	3,5 bar	32,0	75,0	16,0	32
K- 07 30 07 01	G 3/4"	3,6 bar	32,0	75,0	16,0	32
K- 07 30 07 02	G 3/4"	3,8 bar	32,0	75,0	16,0	32
K- 07 30 07 14	G 3/4"	4,0 bar	32,0	75,0	16,0	32
K- 07 30 07 15	G 3/4"	4,1 bar	32,0	75,0	16,0	32
K- 07 30 07 16	G 3/4"	4,5 bar	32,0	75,0	16,0	32
K- 07 30 07 17	G 3/4"	4,7 bar	32,0	75,0	16,0	32
K- 07 30 07 18	G 3/4"	4,9 bar	32,0	75,0	16,0	32
K- 07 30 07 26	G 3/4"	5,0 bar	32,0	75,0	16,0	32
K- 07 30 07 27	G 3/4"	5,1 bar	32,0	75,0	16,0	32
K- 07 30 07 28	G 3/4"	5,3 bar	32,0	75,0	16,0	32
K- 07 30 07 29	G 3/4"	5,5 bar	32,0	75,0	16,0	32
K- 07 30 07 30	G 3/4"	5,7 bar	32,0	75,0	16,0	32
K- 07 30 07 32	G 3/4"	6,0 bar	32,0	75,0	16,0	32
K- 07 30 07 33	G 3/4"	6,2 bar	32,0	75,0	16,0	32
K- 07 30 07 34	G 3/4"	6,5 bar	32,0	75,0	16,0	32
K- 07 30 07 35	G 3/4"	6,6 bar	32,0	75,0	16,0	32
K- 07 30 07 36	G 3/4"	7,0 bar	32,0	75,0	16,0	32
K- 07 30 07 37	G 3/4"	7,1 bar	32,0	75,0	16,0	32
K- 07 30 07 38	G 3/4"	7,2 bar	32,0	75,0	16,0	32
K- 07 30 07 39	G 3/4"	7,5 bar	32,0	75,0	16,0	32
K- 07 30 07 40	G 3/4"	7,7 bar	32,0	75,0	16,0	32
K- 07 30 07 41	G 3/4"	7,8 bar	32,0	75,0	16,0	32
K- 07 30 07 42	G 3/4"	8,0 bar	32,0	75,0	16,0	32
K- 07 30 07 43	G 3/4"	8,2 bar	32,0	75,0	16,0	32
K- 07 30 07 44	G 3/4"	8,4 bar	32,0	75,0	16,0	32
K- 07 30 07 45	G 3/4"	8,5 bar	32,0	75,0	16,0	32
K- 07 30 07 46	G 3/4"	8,6 bar	32,0	95,0	16,0	32
K- 07 30 07 47	G 3/4"	8,8 bar	32,0	95,0	16,0	32
K- 07 30 07 48	G 3/4"	9,0 bar	32,0	95,0	16,0	32
K- 07 30 07 49	G 3/4"	9,1 bar	32,0	95,0	16,0	32
K- 07 30 07 50	G 3/4"	9,3 bar	32,0	95,0	16,0	32
K- 07 30 07 51	G 3/4"	9,4 bar	32,0	95,0	16,0	32
K- 07 30 07 52	G 3/4"	9,5 bar	32,0	95,0	16,0	32
K- 07 30 07 53	G 3/4"	9,6 bar	32,0	95,0	16,0	32
K- 07 30 07 54	G 3/4"	9,8 bar	32,0	95,0	16,0	32
K- 07 30 07 55	G 3/4"	9,9 bar	32,0	95,0	16,0	32
K- 07 30 06 48	G 3/4"	10,0 bar	32,0	95,0	16,0	32
K- 07 30 06 49	G 3/4"	10,2 bar	32,0	95,0	16,0	32
K- 07 30 06 50	G 3/4"	10,5 bar	32,0	95,0	16,0	32
K- 07 30 06 51	G 3/4"	10,6 bar	32,0	95,0	16,0	32
K- 07 30 06 52	G 3/4"	11,0 bar	32,0	95,0	16,0	32
K- 07 30 06 53	G 3/4"	11,5 bar	32,0	95,0	16,0	32
K- 07 30 06 54	G 3/4"	11,6 bar	32,0	95,0	16,0	32
K- 07 30 06 55	G 3/4"	12,0 bar	32,0	95,0	16,0	32
K- 07 30 06 56	G 3/4"	12,5 bar	32,0	95,0	16,0	32
K- 07 30 06 57	G 3/4"	13,0 bar	32,0	95,0	16,0	32
K- 07 30 06 58	G 3/4"	13,5 bar	32,0	95,0	16,0	32
K- 07 30 06 59	G 3/4"	13,8 bar	32,0	95,0	16,0	32
K- 07 30 06 60	G 3/4"	14,0 bar	32,0	95,0	16,0	32
K- 07 30 06 61	G 3/4"	15,0 bar	32,0	95,0	16,0	32
K- 07 30 06 62	G 3/4"	15,2 bar	32,0	95,0	16,0	32
K- 07 30 06 63	G 3/4"	15,5 bar	32,0	95,0	16,0	32
K- 07 30 06 64	G 3/4"	16,0 bar	32,0	95,0	16,0	32
K- 07 30 06 65	G 3/4"	16,5 bar	32,0	95,0	16,0	32
K- 07 30 06 66	G 3/4"	17,0 bar	32,0	95,0	16,0	32



Artikel						
Bezeichnung	Gewinde	Ansprechdruck	A (mm)	C (mm)	D (mm)	SW (mm)
K- 07 30 06 67	G 3/4"	17,5 bar	32,0	95,0	16,0	32
K- 07 30 06 68	G 3/4"	17,6 bar	32,0	95,0	16,0	32
K- 07 30 06 69	G 3/4"	18,0 bar	32,0	95,0	16,0	32
K- 07 30 06 70	G 3/4"	18,5 bar	32,0	95,0	16,0	32
K- 07 30 06 71	G 3/4"	19,0 bar	32,0	95,0	16,0	32
K- 07 30 06 79	G 3/4"	20,0 bar	32,0	95,0	16,0	32
K- 07 30 06 80	G 3/4"	20,5 bar	32,0	95,0	16,0	32
K- 07 30 06 81	G 3/4"	21,0 bar	32,0	95,0	16,0	32
K- 07 30 06 82	G 3/4"	21,5 bar	32,0	95,0	16,0	32
K- 07 30 06 83	G 3/4"	22,0 bar	32,0	95,0	16,0	32
K- 07 30 06 84	G 3/4"	23,2 bar	32,0	95,0	16,0	32
K- 07 30 06 85	G 3/4"	23,5 bar	32,0	95,0	16,0	32
K- 07 30 06 86	G 3/4"	24,0 bar	32,0	95,0	16,0	32
K- 07 30 06 87	G 3/4"	25,0 bar	32,0	95,0	16,0	32
K- 07 30 06 88	G 3/4"	25,5 bar	32,0	95,0	16,0	32
K- 07 30 06 89	G 3/4"	26,5 bar	32,0	95,0	16,0	32
K- 07 30 06 90	G 3/4"	27,0 bar	32,0	95,0	16,0	32
K- 07 30 06 91	G 3/4"	27,5 bar	32,0	95,0	16,0	32
K- 07 30 06 92	G 3/4"	27,6 bar	32,0	95,0	16,0	32
K- 07 30 06 93	G 3/4"	28,0 bar	32,0	95,0	16,0	32
K- 07 30 06 94	G 3/4"	28,5 bar	32,0	95,0	16,0	32
K- 07 30 06 95	G 3/4"	29,0 bar	32,0	95,0	16,0	32
K- 07 30 06 96	G 3/4"	29,5 bar	32,0	95,0	16,0	32
K- 07 30 07 03	G 3/4"	30,0 bar	32,0	95,0	16,0	32
K- 07 30 07 04	G 3/4"	31,5 bar	32,0	95,0	16,0	32
K- 07 30 07 05	G 3/4"	32,0 bar	32,0	95,0	16,0	32
K- 07 30 07 06	G 3/4"	32,5 bar	32,0	95,0	16,0	32
K- 07 30 07 07	G 3/4"	33,0 bar	32,0	95,0	16,0	32
K- 07 30 07 08	G 3/4"	33,5 bar	32,0	95,0	16,0	32
K- 07 30 07 09	G 3/4"	34,0 bar	32,0	95,0	16,0	32
K- 07 30 07 10	G 3/4"	35,0 bar	32,0	95,0	16,0	32
K- 07 30 07 11	G 3/4"	36,0 bar	32,0	95,0	16,0	32
K- 07 30 07 12	G 3/4"	37,0 bar	32,0	95,0	16,0	32
K- 07 30 07 13	G 3/4"	38,0 bar	32,0	95,0	16,0	32
K- 07 30 07 19	G 3/4"	40,0 bar	32,0	95,0	16,0	32
K- 07 30 07 20	G 3/4"	41,0 bar	32,0	120,0	16,0	32
K- 07 30 07 21	G 3/4"	42,0 bar	32,0	120,0	16,0	32
K- 07 30 07 22	G 3/4"	43,0 bar	32,0	120,0	16,0	32
K- 07 30 07 23	G 3/4"	44,0 bar	32,0	120,0	16,0	32
K- 07 30 07 24	G 3/4"	45,0 bar	32,0	120,0	16,0	32
K- 07 30 07 25	G 3/4"	46,0 bar	32,0	120,0	16,0	32
K- 07 30 07 31	G 3/4"	50,0 bar	32,0	120,0	16,0	32
K- 07 30 04 39	G 3/8"	4,1 bar	22,0	75,0	12,0	27
K- 07 30 05 00	G 1/2"	10,6 bar	26,0	95,0	14,0	27