

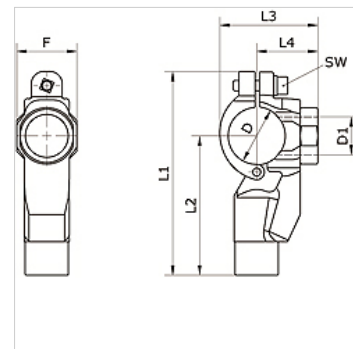
# K-BOHRVORRICHTUNG 20-63 INFI

Bohrvorrichtung für Schnellflansch Ø 20 mm – Ø 63 mm

**HANSA FLEX**

## Eigenschaften

Werkstoff Messing vernickelt



## Artikel

Bezeichnung	Rohr-Außen-Ø	D (mm)	D1 (mm)	F (mm)	L1 (mm)	L2 (mm)	L3 (mm)	L4 (mm)	SW (mm)
K- 07 40 54 54	32 - 24,5 mm	32	24,5	34,0	115,0	79,0	56,0	35,0	5
K- 07 40 54 55	40 - 24,5 mm	40	24,5	34,0	127,0	86,5	65,0	39,5	5
K- 07 40 54 56	50 - 32 mm	50	32,0	42,5	146,0	97,0	79,0	47,5	6
K- 07 40 54 57	63 - 32 mm	63	32,0	42,5	163,5	108,5	93,0	55,0	6