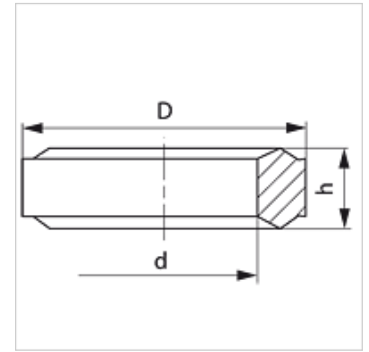


Properties

Design	Edge sealing ring
Standard	DIN 2353 ISO 8434-1
Material	Steel
Surface	electro galvanised

**Item**

Identification	for thread	D (mm)	d (mm)	h (mm)
DKI 1/4	G 1/4"	11,0	6,0	4,5
DKI 1/2	G 1/2"	18,3	12,5	5,0

Product versions

DKI VA	Edge sealing ring for internal thread, Stainless steel
--------	--

Spare part for following products

MVE MG	Pressure gauge connection fitting
MVR MG	Pressure gauge connection fitting
XMVR	Pressure gauge connection fitting
MVR HJ	Pressure gauge connection sockets
MVR	Pressure gauge connection fitting
XMVE	Pressure gauge connection fitting
MVO	Pressure gauge connection fitting
MVE	Pressure gauge connection fitting