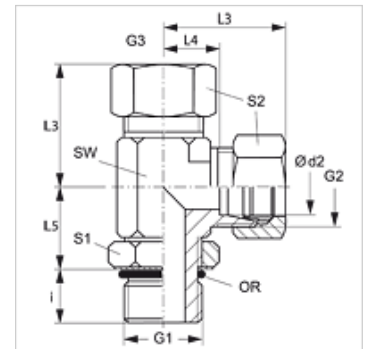


### Properties

<b>Connection 1</b>	UN/UNF external threads
<b>Sealing form 1</b>	Shape F
<b>Connection 2 + 3</b>	metric cylindrical outer thread
<b>Sealing form 2 + 3</b>	24° inner cone
<b>Design</b>	Adjustable direction screw-in fitting
<b>Construction</b>	L shaped
<b>Scope of supply</b>	Socket with union nut and cutting ring
<b>Material</b>	Steel
<b>Surface</b>	electro galvanised



### Note

Information about fitting, installation, pressure loads and permissible operating temperatures can be found in the technical information for pipe fittings.

### Item

Identification	Series	Operating pressure	Ø d2	G1	G2 + G3	i	L3	L4	L5	AF	S1	S2	OR
			(mm)			(mm)	(mm)	(mm)	(mm)	(mm)			
ELO NW 04 HL 7/16	L	PN 315	6	7/16"-20 UNF	M 12 x 1.5	10	29	14	19	14	14	14	8.92 x 1.83
ELO NW 06 HL 7/16	L	PN 315	8	7/16"-20 UNF	M 14 x 1.5	10	31	16	19	14	14	17	8.92 x 1.83
ELO NW 06 HL 1/2	L	PN 315	8	1/2"-20 UNF	M 14 x 1.5	10	31	16	19	16	17	14	10.52 x 1.83
ELO NW 08 HL 9/16	L	PN 315	10	9/16"-18 UNF	M 16 x 1.5	10	32	17	24	17	19	19	11.90 x 1.98
ELO NW 10 HL 9/16	L	PN 315	12	9/16"-18 UNF	M 18 x 1.5	11	34	19	25	17	19	22	11.90 x 1.98
ELO NW 10 HL 3/4	L	PN 315	12	3/4"-16 UNF	M 18 x 1.5	13	34	19	25	22	19	22	16.36 x 2.20
ELO NW 13 HL 3/4	L	PN 315	15	3/4"-16 UNF	M 18 x 1.5	13	36	21	28	22	22	27	16.36 x 2.20
ELO NW 13 HL 7/8	L	PN 315	15	7/8" -14 UNF	M 22 x 1.5	15	36	21	28	27	22	27	19.18 x 2.46
ELO NW 16 HL 7/8	L	PN 315	18	7/8" -14 UNF	M 26 x 1.5	15	40	24	32	27	27	32	19.18 x 2.46
ELO NW 16 HL 1 1/16	L	PN 315	18	1.1/16" -12 UN	M 26 x 1.5	17	40	24	32	32	30	32	23.47 x 2.95
ELO NW 20 HL 1 1/16	L	PN 160	22	1.1/16" -12 UN	M 30 x 2	17	44	28	35	32	30	36	23.47 x 2.95
ELO NW 25 HL 1 5/16	L	PN 160	28	1.5/16" -12 UN	M 36 x 2	17	47	31	42	41	36	41	29.74 x 2.95
ELO NW 32 HL 1 5/8	L	PN 160	35	1.5/8" -12 UN	M 45 x 2	17	59	38	46	50	50	50	37.47 x 3.00
ELO NW 40 HL 1 7/8	L	PN 160	42	1.7/8" -12 UN	M 52 x 2	17	61	38	47	55	50	60	43.69 x 3.00
ELO NW 03 HS 7/16	S	PN 400	6	7/16"-20 UNF	M 14 x 1.5	12	30	15	20	14	14	17	8.92 x 1.83
ELO NW 04 HS 1/2	S	PN 400	8	1/2"-20 UNF	M 16 x 1.5	12	30	15	20	14	17	19	10.52 x 1.83
ELO NW 04 HS 9/16	S	PN 400	8	9/16"-18 UNF	M 16 x 1.5	12	32	17	25	17	19	19	11.90 x 1.98
ELO NW 06 HS 9/16	S	PN 400	10	9/16"-18 UNF	M 16 x 1.5	12	34	18	26	17	19	22	11.90 x 1.98
ELO NW 08 HS 3/4	S	PN 400	12	3/4"-16 UNF	M 20 x 1.5	14	38	22	30	22	22	24	16.36 x 2.20
ELO NW 13 HS 7/8	S	PN 400	16	7/8" -14 UNF	M 24 x 1.5	16	43	25	34	27	27	30	19.18 x 2.46
ELO NW 16 HS 1 1/16	S	PN 400	20	1.1/16" -12 UN	M 30 x 2	19	49	28	37	32	30	36	23.47 x 2.95
ELO NW 20 HS 1 1/16	S	PN 400	25	1.1/16" -12 UN	M 36 x 2	19	54	30	50	32	36	46	23.47 x 2.95
ELO NW 20 HS 1 5/16	S	PN 400	25	1.5/16" -12 UN	M 36 x 2	19	58	33	53	38	33	46	29.74 x 2.95
ELO NW 25 HS 1 5/8	S	PN 250	30	1.5/8" -12 UN	M 42 x 2	19	62	36	50	50	50	50	37.47 x 3.00
ELO NW 32 HS 1 7/8	S	PN 250	38	1.7/8" -12 UN	M 52 x 2	19	65	34	51	55	50	60	43.69 x 3.00

Series: LL = Very light L = Light S = Heavy – PN = Nominal pressure PB = Max. operating pressure – Ø d2 = External pipe diameter

### Product versions

**XELO** Screw-in fitting, L shaped, Socket (without union nut and cutting ring)