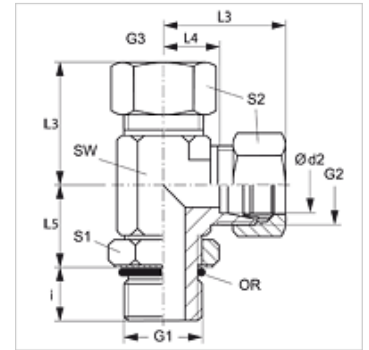


Properties

Connection 1	metric cylindrical outer thread
Sealing form 1	Shape F
Connection 2 + 3	metric cylindrical outer thread
Sealing form 2 + 3	24° inner cone
Design	Adjustable direction screw-in fitting
Construction	L shaped
Scope of supply	Socket with union nut and cutting ring
Material	Steel
Surface	electro galvanised



Note

Information about fitting, installation, pressure loads and permissible operating temperatures can be found in the technical information for pipe fittings.

Item

Identification	Series	Operating pressure	Ø d2 (mm)	G1	G2 + G3	i (mm)	L3 (mm)	L4 (mm)	L5 (mm)	AF (mm)	S1	S2	OR
ELOM NW 04 HL	L	PN 315	6	M 10 x 1	M 12 x 1.5	7	29	14	20	14	14	14	8.1 x 1.6
ELOM NW 06 HL	L	PN 315	8	M 12 x 1.5	M 14 x 1.5	10	31	16	22	17	14	17	9.3 x 2.4
ELOM NW 08 HL	L	PN 315	10	M 14 x 1.5	M 16 x 1.5	10	32	17	25	19	19	19	11.3 x 2.4
ELOM NW 10 HL	L	PN 315	12	M 16 x 1.5	M 18 x 1.5	10	34	19	26	22	19	22	13.3 x 2.4
ELOM NW 13 HL	L	PN 315	15	M 18 x 1.5	M 22 x 1.5	11	36	21	30	24	22	27	15.3 x 2.4
ELOM NW 16 HL	L	PN 315	18	M 22 x 1.5	M 26 x 1.5	12	40	24	33	27	27	32	19.3 x 2.4
ELOM NW 20 HL 27	L	PN 160	22	M 27 x 2	M 30 x 2	14	44	28	35	32	30	36	23.6 x 2.9
ELOM NW 25 HL	L	PN 160	28	M 33 x 2	M 36 x 2	14	47	31	38	41	36	41	29.5 x 3.0
ELOM NW 32 HL	L	PN 160	35	M 42 x 2	M 45 x 2	14	59	38	48	50	50	50	38.0 x 3.0
ELOM NW 40 HL	L	PN 160	42	M 48 x 2	M 52 x 2	16	61	38	49	55	50	60	44.5 x 3.0
ELOM NW 03 HS	S	PN 400	6	M 12 x 1.5	M 14 x 1.5	10	30	15	22	17	14	17	9.3 x 2.4
ELOM NW 04 HS	S	PN 400	8	M 14 x 1.5	M 16 x 1.5	10	32	17	26	19	19	19	11.3 x 2.4
ELOM NW 06 HS	S	PN 400	10	M 16 x 1.5	M 18 x 1.5	11	34	18	27	22	19	22	13.3 x 2.4
ELOM NW 08 HS	S	PN 400	12	M 18 x 1.5	M 20 x 1.5	12	38	22	31	24	22	24	15.3 x 2.4
ELOM NW 13 HS	S	PN 400	16	M 22 x 1.5	M 24 x 1.5	14	43	25	35	27	27	30	19.3 x 2.4
ELOM NW 16 HS	S	PN 400	20	M 27 x 2	M 30 x 2	16	49	28	35	32	30	36	23.6 x 2.9
ELOM NW 20 HS	S	PN 315	25	M 33 x 2	M 36 x 2	16	54	30	44	41	36	46	29.5 x 3.0
ELOM NW 25 HS	S	PN 250	30	M 42 x 2	M 42 x 2	17	62	36	51	50	50	50	38.0 x 3.0
ELOM NW 32 HS	S	PN 200	38	M 48 x 2	M 52 x 2	19	65	34	54	55	50	60	44.5 x 3.0

Series: LL = Very light L = Light S = Heavy - PN = Nominal pressure PB = Max. operating pressure - Ø d2 = External pipe diameter

Product versions

XELOM Screw-in fitting, L shaped, Socket (without union nut and cutting ring)