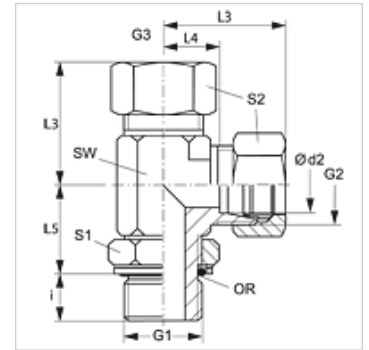


ELORK

Screw-in fitting, L shaped

Properties

Connection 1	BSP external thread, cylindrical
Sealing form 1	O-ring and spacer diaphragm ring
Connection 2 + 3	metric cylindrical outer thread
Sealing form 2 + 3	24° inner cone
Design	Adjustable direction screw-in fitting
Construction	L shaped
Scope of supply	Socket with union nut and cutting ring
Material	Steel
Surface	electro galvanised



Note

Information about fitting, installation, pressure loads and permissible operating temperatures can be found in the technical information for pipe fittings.

Item

Identification	Series	Operating pressure	Ø d2 (mm)	G1	G2 + G3	i (mm)	L3 (mm)	L4 (mm)	L5 (mm)	AF (mm)	S1	S2	OR
ELORK NW 10 HL	L	PN 315	12	G 3/8" -19	M 18 x 1.5	9,0	34	19	28	22	19	22	13.94 x 2.62

Series: LL = Very light L = Light S = Heavy - PN = Nominal pressure PB = Max. operating pressure - Ø d2 = External pipe diameter

Product versions

XELORK Screw-in fitting, L shaped, Socket (without union nut and cutting ring)