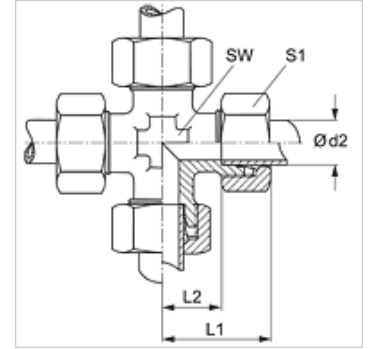


### Properties

Connection 1 - 4	metric cylindrical outer thread
Sealing form 1 - 4	24° inner cone
Design	Fitting
Construction	K shaped
Standard	DIN 2353 ISO 8434-1
Scope of supply	Socket with union nut and cutting ring
Material	Steel
Surface	electro galvanised



### Note

Information about fitting, installation, pressure loads and permissible operating temperatures can be found in the technical information for pipe fittings.

### Item

Identification	Series	Operating pressure	Ø d2 (mm)	L1 (mm)	L2 (mm)	AF (mm)	S1
K 04 LL	LL	PN 100	4	21	11,0	9	10
K 05 LL	LL	PN 100	5	21	9,5	9	12
K 06 LL	LL	PN 100	6	21	9,5	9	12
K 08 LL	LL	PN 100	8	23	11,5	12	14
K NW 04 HL	L	PN 315	6	27	12,0	12	14
K NW 06 HL	L	PN 315	8	29	14,0	14	17
K NW 08 HL	L	PN 315	10	30	15,0	14	19
K NW 10 HL	L	PN 315	12	32	17,0	17	22
K NW 13 HL	L	PN 315	15	36	21,0	19	27
K NW 16 HL	L	PN 315	18	40	23,5	24	32
K NW 20 HL	L	PN 160	22	44	27,5	27	36
K NW 25 HL	L	PN 160	28	47	30,5	36	41
K NW 32 HL	L	PN 160	35	56	34,5	41	50
K NW 40 HL	L	PN 160	42	63	40,0	50	60
K NW 03 HS	S	PN 630	6	31	16,0	12	17
K NW 04 HS	S	PN 630	8	32	17,0	14	19
K NW 06 HS	S	PN 630	10	34	17,5	17	22
K NW 08 HS	S	PN 630	12	38	21,5	19	24
K NW 10 HS	S	PN 400	14	40	22,0	19	27
K NW 13 HS	S	PN 400	16	43	24,5	24	30
K NW 16 HS	S	PN 315	20	48	26,5	27	36
K NW 20 HS	S	PN 315	25	54	30,0	36	46
K NW 25 HS	S	PN 315	30	62	35,5	41	50
K NW 32 HS	S	PN 315	38	72	41,0	50	60

Series: LL = Very light L = Light S = Heavy - PN = Nominal pressure PB = Max. operating pressure - Ø d2 = External pipe diameter

### Product versions

K VA	Fitting, cross shaped, Stainless steel
XK	Fitting, cross shaped, Steel