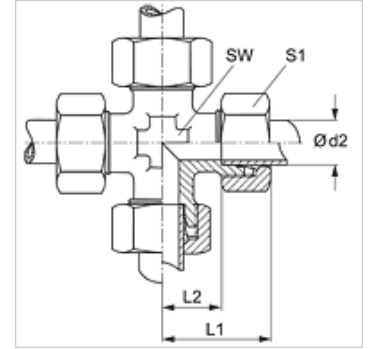


K VA

Fitting, cross shaped

Properties

Connection 1 - 4	metric cylindrical outer thread
Sealing form 1 - 4	24° inner cone
Design	Fitting
Construction	K shaped
Standard	DIN 2353 ISO 8434-1
Scope of supply	Socket with union nut and cutting ring
Material	Stainless steel



Note

Information about fitting, installation, pressure loads and permissible operating temperatures can be found in the technical information for pipe fittings.

Item

Identification	Series	Operating pressure	Ø d2 (mm)	L1 (mm)	L2 (mm)	AF (mm)	S1
K 04 LL VA	LL	PN 100	4	21	11,0	9	10
K 06 LL VA	LL	PN 100	6	21	9,5	9	12
K 08 LL VA	LL	PN 100	8	23	11,5	12	14
K NW 04 HL VA	L	PN 315	6	27	12,0	12	14
K NW 06 HL VA	L	PN 315	8	29	14,0	14	17
K NW 08 HL VA	L	PN 315	10	30	15,0	14	19
K NW 10 HL VA	L	PN 315	12	32	17,0	17	22
K NW 13 HL VA	L	PN 315	15	36	21,0	19	27
K NW 16 HL VA	L	PN 315	18	40	23,5	24	32
K NW 20 HL VA	L	PN 160	22	44	27,5	27	36
K NW 25 HL VA	L	PN 160	28	47	30,5	36	41
K NW 32 HL VA	L	PN 160	35	56	34,5	41	50
K NW 40 HL VA	L	PN 160	42	63	40,0	50	60
K NW 03 HS VA	S	PN 630	6	31	16,0	12	17
K NW 04 HS VA	S	PN 630	8	32	17,0	14	19
K NW 06 HS VA	S	PN 630	10	34	17,5	17	22
K NW 08 HS VA	S	PN 630	12	38	21,5	19	24
K NW 10 HS VA	S	PN 400	14	40	22,0	19	27
K NW 13 HS VA	S	PN 400	16	43	24,5	24	30
K NW 16 HS VA	S	PN 315	20	48	26,5	27	36
K NW 20 HS VA	S	PN 315	25	54	30,0	36	46
K NW 25 HS VA	S	PN 315	30	62	35,5	41	50
K NW 32 HS VA	S	PN 315	38	72	41,0	50	60

Series: LL = Very light L = Light S = Heavy - PN = Nominal pressure PB = Max. operating pressure - Ø d2 = External pipe diameter

Product versions

K	Fitting, cross shaped, Steel
XK VA	Fitting, cross shaped, Stainless steel