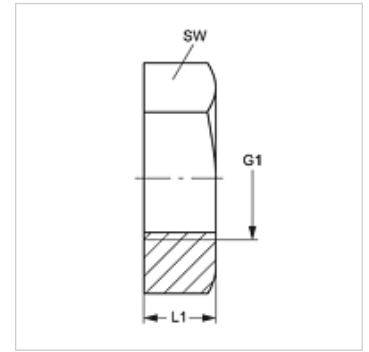


### Properties

<b>Design</b>	Counter nut for bulkhead fittings
<b>Standard</b>	ISO 8434-1
<b>Material</b>	Steel
<b>Surface</b>	electro galvanised



### Item

Identification	G1	L1 (mm)	AF (mm)
<b>KM 12</b>	M 12 x 1.5	6	17
<b>KM 14</b>	M 14 x 1.5	6	19
<b>KM 16</b>	M 16 x 1.5	6	22
<b>KM 18</b>	M 18 x 1.5	6	24
<b>KM 20</b>	M 20 x 1.5	6	27
<b>KM 22</b>	M 22 x 1.5	7	30
<b>KM 24</b>	M 24 x 1.5	7	32
<b>KM 26</b>	M 26 x 1.5	8	36
<b>KM 30</b>	M 30 x 2	9	41
<b>KM 36 - 1.5</b>	M 36 x 1.5	9	46
<b>KM 36</b>	M 36 x 2	9	46
<b>KM 42</b>	M 42 x 2	9	50
<b>KM 45</b>	M 45 x 2	9	55
<b>KM 52</b>	M 52 x 2	10	65

### Product versions

<b>KM MG</b>	Counter nut for bulkhead fitting, Brass
<b>KM VA</b>	Counter nut for bulkhead fitting, Stainless steel

### Spare part for following products

<b>SV</b>	Bulkhead fitting
-----------	------------------