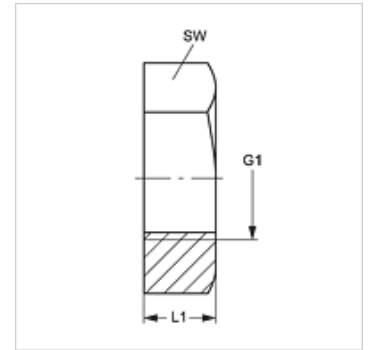


KM MG

Counter nut for bulkhead fitting

Properties

Design	Counter nut for bulkhead fittings
Standard	DIN 80705
Material	Brass



Item

Identification	G1	L1 (mm)	AF (mm)
KM 12 MG	M 12 x 1.5	6	17
KM 14 MG	M 14 x 1.5	6	19
KM 16 MG	M 16 x 1.5	6	22
KM 18 MG	M 18 x 1.5	6	24
KM 20 MG	M 20 x 1.5	6	27
KM 22 MG	M 22 x 1.5	7	30
KM 24 MG	M 42 x 1.5	7	32
KM 26 MG	M 26 x 1.5	8	36
KM 30 MG	M 30 x 2	8	41
KM 36 MG	M 36 x 2	9	46

Product versions

KM	Counter nut for bulkhead fitting, Steel
KM VA	Counter nut for bulkhead fitting, Stainless steel