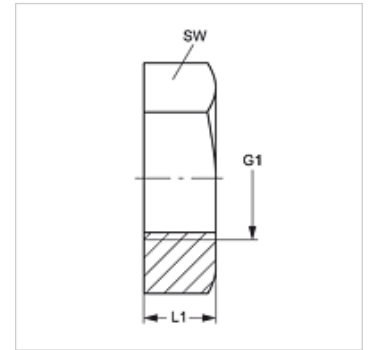
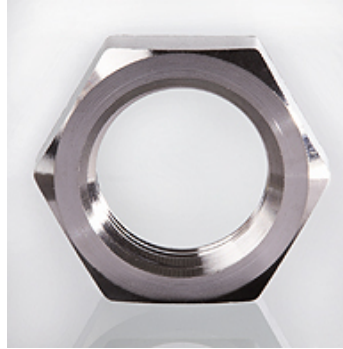


KM VA

Counter nut for bulkhead fitting

Properties

Design	Counter nut for bulkhead fittings
Standard	ISO 8434-1
Material	Stainless steel



Item

Identification	G1	L1 (mm)	AF (mm)
KM 12 VA	M 12 x 1.5	6	17
KM 14 VA	M 14 x 1.5	6	19
KM 16 VA	M 16 x 1.5	6	22
KM 18 VA	M 18 x 1.5	6	24
KM 20 VA	M 20 x 1.5	6	27
KM 22 VA	M 22 x 1.5	7	30
KM 24 VA	M 24 x 1.5	7	32
KM 26 VA	M 26 x 1.5	8	36
KM 30 VA	M 30 x 2	9	41
KM 36 VA	M 36 x 2	9	46
KM 42 VA	M 42 x 2	9	50
KM 45 VA	M 45 x 2	9	55
KM 52 VA	M 52 x 2	10	65

Product versions

KM	Counter nut for bulkhead fitting, Steel
KM MG	Counter nut for bulkhead fitting, Brass