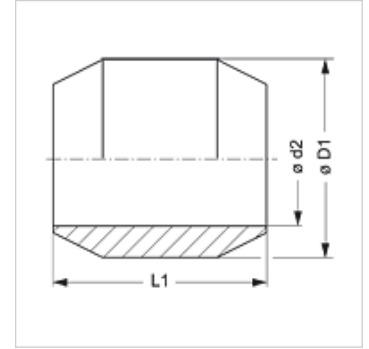
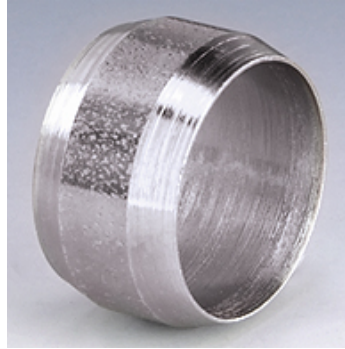


Properties

Design	Double conical ring
Standard	DIN 3862
Application	For union nuts A DIN 3870 and union screws DIN 3871
Material	Steel
Surface	electro galvanised



Description

For union nuts A DIN 3870 and union screws DIN 3871.

Item

Identification	Ø D1 (mm)	Ø d2 (mm)	L1 (mm)
SRDK 06	8	6	6,5
SRDK 08	10	8	6,5
SRDK 10	12	10	7,5
SRDK 12	14	12	8,0
SRDK 18	20	18	9,0

Ø d2 = External pipe diameter

Product versions

SRDK MG	Double conical ring, Brass
----------------	----------------------------