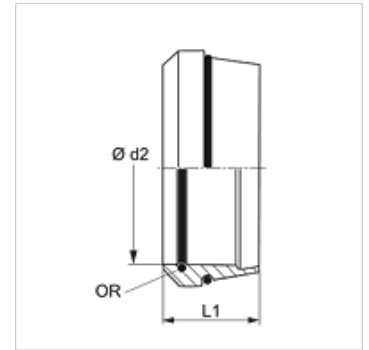
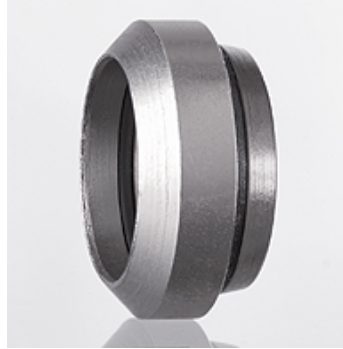


SRDO V

Cutting ring with O-ring

Properties

Design	Cutting ring with O-ring
Standard	DIN 3861
Material	Steel
Surface	electro galvanised



Item

Identification	Series	Ø d2 (mm)	L1 (mm)	OR
SRDO 06 V	L / S	6	8,8	6 x 1
SRDO 08 V	L / S	8	8,8	8 x 1
SRDO 10 V	L / S	10	9,8	10 x 1
SRDO 12 V	L / S	12	9,8	12 x 1
SRDO 14 V	S	14	10,2	14 x 1
SRDO 15 V	L	15	10,2	15 x 1
SRDO 16 V	S	16	10,2	16 x 1
SRDO 18 V	L	18	10,2	18 x 1
SRDO 20 V	S	20	12,5	20 x 1
SRDO 22 V	L	22	11,5	22 x 1
SRDO 25 V	S	25	12,5	25 x 1
SRDO 28 V	L	28	11,5	28 x 1
SRDO 30 V	S	30	13,5	30 x 1
SRDO 35 V	L	35	13,5	35 x 1
SRDO 38 V	S	38	13,5	38 x 1
SRDO 42 V	L	42	13,5	42 x 1

Series: LL = Very light L = Light S = Heavy - Ø d2 = External pipe diameter