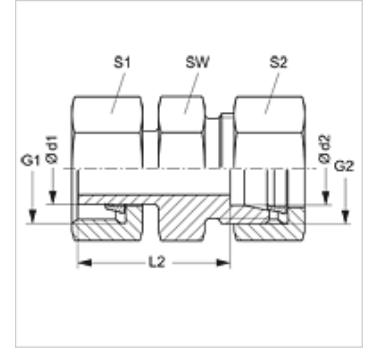
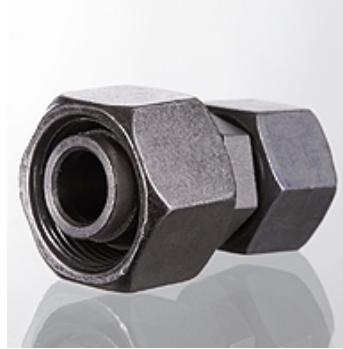


AH

Reducing fitting

Properties

Connection 1	metric nut thread
Sealing form 1	Pipe socket with cutting ring
Connection 2	metric cylindrical outer thread
Sealing form 2	24° inner cone
Design	Reducing fitting
Construction	straight
Standard	ISO 8434-1
Scope of supply	Socket with union nut and cutting ring
Material	Steel
Surface	electro galvanised



Note

Information about fitting, installation, pressure loads and permissible operating temperatures can be found in the technical information for pipe fittings.

Item

Identification	Series	Operating pressure	$\varnothing d1$ (mm)	$\varnothing d2$ (mm)	G1	G2	L2 (mm)	AF (mm)	S1	S2
AH 06 LL 04	LL	PN 100	6	4	M 10 x 1	M 8 x 1	24,5	9	12	10
AH 08 LL 04	LL	PN 100	8	4	M 12 x 1	M 8 x 1	24,5	12	14	10
AH 08 LL 06	LL	PN 100	8	6	M 12 x 1	M 10 x 1	17,5	14	14	12
AH NW 04 LL 04	L / LL	PN 100	6	4	M 12 x 1.5	M 8 x 1	24,5	12	14	10
AH NW 06 LL 04	L / LL	PN 100	8	4	M 14 x 1.5	M 8 x 1	24,5	14	17	10
AH NW 08 LL 04	L / LL	PN 100	10	4	M 16 x 1.5	M 8 x 1	24,5	14	19	10
AH NW 10 LL 04	L / LL	PN 100	12	4	M 18 x 1.5	M 8 x 1	24,5	14	22	10
AH NW 06 L 04	L	PN 315	8	6	M 14 x 1.5	M 12 x 1.5	25,5	12	17	14
AH NW 08 L 04	L	PN 315	10	6	M 16 x 1.5	M 12 x 1.5	27,0	12	19	14
AH NW 08 L 06	L	PN 315	10	8	M 16 x 1.5	M 14 x 1.5	27,5	14	19	17
AH NW 10 L 04	L	PN 315	12	6	M 18 x 1.5	M 12 x 1.5	28,0	14	22	14
AH NW 10 L 06	L	PN 315	12	8	M 18 x 1.5	M 14 x 1.5	29,0	14	22	17
AH NW 10 L 08	L	PN 315	12	10	M 18 x 1.5	M 16 x 1.5	30,0	17	22	19
AH NW 10 L	L	PN 315	12	12	M 18 x 1.5	M 18 x 1.5	24,5	19	24	24
AH NW 10 L 13	L	PN 315	12	15	M 18 x 1.5	M 22 x 1.5	30,0	17	22	27
AH NW 13 L 04	L	PN 315	15	6	M 22 x 1.5	M 12 x 1.5	29,0	17	27	14
AH NW 13 L 06	L	PN 315	15	8	M 22 x 1.5	M 14 x 1.5	29,0	17	27	17
AH NW 13 L 08	L	PN 315	15	10	M 22 x 1.5	M 16 x 1.5	30,0	17	27	19
AH NW 13 L 10	L	PN 315	15	12	M 22 x 1.5	M 18 x 1.5	31,0	19	27	22
AH NW 16 L 04	L	PN 315	18	6	M 26 x 1.5	M 12 x 1.5	30,0	19	32	14
AH NW 16 L 06	L	PN 315	18	8	M 26 x 1.5	M 14 x 1.5	31,0	19	32	17
AH NW 16 L 08	L	PN 315	18	10	M 26 x 1.5	M 16 x 1.5	32,0	19	32	19
AH NW 16 L 10	L	PN 315	18	12	M 26 x 1.5	M 18 x 1.5	33,0	19	32	22
AH NW 16 L 13	L	PN 315	18	15	M 26 x 1.5	M 22 x 1.5	34,0	24	32	27
AH NW 20 L 04	L	PN 160	22	6	M 30 x 2	M 12 x 1.5	32,0	24	36	14
AH NW 20 L 06	L	PN 160	22	8	M 30 x 2	M 14 x 1.5	33,0	24	36	17
AH NW 20 L 08	L	PN 160	22	10	M 30 x 2	M 16 x 1.5	34,0	24	36	19
AH NW 20 L 10	L	PN 160	22	12	M 30 x 2	M 18 x 1.5	35,0	24	36	22
AH NW 20 L 13	L	PN 160	22	15	M 30 x 2	M 22 x 1.5	36,0	24	36	27
AH NW 20 L 16	L	PN 160	22	18	M 30 x 2	M 26 x 1.5	36,5	27	36	32
AH NW 25 L 04	L	PN 160	28	6	M 30 x 2	M 12 x 1.5	34,0	30	41	14
AH NW 25 L 06	L	PN 160	28	8	M 36 x 2	M 14 x 1.5	34,0	30	41	17
AH NW 25 L 08	L	PN 160	28	10	M 36 x 2	M 16 x 1.5	35,0	30	41	19
AH NW 25 L 10	L	PN 160	28	12	M 36 x 2	M 18 x 1.5	36,0	30	41	22
AH NW 25 L 13	L	PN 160	28	15	M 36 x 2	M 22 x 1.5	37,0	30	41	27
AH NW 25 L 16	L	PN 160	28	18	M 36 x 2	M 26 x 1.5	37,5	30	41	32
AH NW 25 L 20	L	PN 160	28	22	M 36 x 2	M 30 x 2	39,5	32	41	36
AH NW 32 L 04	L	PN 160	35	6	M 45 x 2	M 12 x 1.5	40,0	36	50	14
AH NW 32 L 06	L	PN 160	35	8	M 45 x 2	M 14 x 1.5	40,0	36	50	17
AH NW 32 L 08	L	PN 160	35	10	M 45 x 2	M 16 x 1.5	41,0	36	50	19
AH NW 32 L 10	L	PN 160	35	12	M 45 x 2	M 18 x 1.5	42,0	36	50	22



Item	Identification	Series	Operating pressure	Ø d1 (mm)	Ø d2 (mm)	G1	G2	L2 (mm)	AF (mm)	S1	S2
	AH NW 32 L 13	L	PN 160	35	15	M 45 x 2	M 22 x 1.5	43,0	36	50	27
	AH NW 32 L 16	L	PN 160	35	18	M 45 x 2	M 26 x 1.5	43,5	36	50	32
	AH NW 32 L 20	L	PN 160	35	22	M 45 x 2	M 30 x 2	45,5	36	50	36
	AH NW 32 L 25	L	PN 160	35	28	M 45 x 2	M 36 x 2	46,5	41	50	41
	AH NW 40 L 04	L	PN 160	42	6	M 52 x 2	M 14 x 1.5	40,0	46	60	14
	AH NW 40 L 06	L	PN 160	42	8	M 52 x 2	M 14 x 1.5	41,0	46	60	17
	AH NW 40 L 08	L	PN 160	42	10	M 52 x 2	M 16 x 1.5	42,0	46	60	19
	AH NW 40 L 10	L	PN 160	42	12	M 52 x 2	M 18 x 1.5	43,0	46	60	22
	AH NW 40 L 13	L	PN 160	42	15	M 52 x 2	M 22 x 1.5	45,0	46	60	27
	AH NW 40 L 16	L	PN 160	42	18	M 52 x 2	M 26 x 1.5	44,5	46	60	32
	AH NW 40 L 20	L	PN 160	42	22	M 52 x 2	M 30 x 2	46,5	46	60	36
	AH NW 40 L 25	L	PN 160	42	28	M 52 x 2	M 36 x 2	47,5	46	60	41
	AH NW 40 L 32	L	PN 160	42	35	M 52 x 2	M 45 x 2	47,5	46	60	50
	AH NW 13 L 10 S	L / S	PN 315	15	14	M 22 x 1.5	M 22 x 1.5	31,0	19	27	27
	AH NW 16 L 13 S	L / S	PN 315	18	16	M 26 x 1.5	M 24 x 1.5	34,0	24	32	30
	AH NW 20 L 13 S	L / S	PN 315	22	16	M 30 x 2	M 24 x 1.5	35,0	24	36	30
	AH NW 20 L 16 S	L / S	PN 315	22	20	M 30 x 2	M 30 x 2	35,0	24	36	36
	AH NW 25 L 13 S	L / S	PN 250	28	16	M 36 x 2	M 24 x 1.5	37,5	30	41	30
	AH NW 25 L 20 S	L / S	PN 250	28	25	M 36 x 2	M 36 x 2	39,5	32	41	36
	AH NW 04 S 03	S	PN 630	8	6	M 16 x 1.5	M 14 x 1.5	30,0	14	19	17
	AH NW 06 S 03	S	PN 630	10	6	M 18 x 1.5	M 14 x 1.5	32,0	14	22	17
	AH NW 06 S 04	S	PN 630	10	8	M 18 x 1.5	M 16 x 1.5	34,0	17	22	19
	AH NW 08 S 03	S	PN 630	12	6	M 20 x 1.5	M 14 x 1.5	32,0	14	24	17
	AH NW 08 S 04	S	PN 630	12	8	M 20 x 1.5	M 16 x 1.5	34,0	17	24	19
	AH NW 08 S 06	S	PN 630	12	10	M 20 x 1.5	M 18 x 1.5	33,5	19	24	22
	AH NW 10 S 03	S	PN 630	14	6	M 22 x 1.5	M 14 x 1.5	35,0	17	27	17
	AH NW 10 S 04	S	PN 630	14	8	M 22 x 1.5	M 16 x 1.5	37,0	17	27	19
	AH NW 10 S 06	S	PN 630	14	10	M 22 x 1.5	M 18 x 1.5	36,5	19	27	22
	AH NW 10 S 08	S	PN 630	14	12	M 22 x 1.5	M 20 x 1.5	38,5	22	27	24
	AH NW 13 S 03	S	PN 400	16	6	M 24 x 1.5	M 14 x 1.5	35,0	17	30	17
	AH NW 13 S 04	S	PN 400	16	8	M 24 x 1.5	M 16 x 1.5	37,0	17	30	19
	AH NW 13 S 06	S	PN 400	16	10	M 24 x 1.5	M 18 x 1.5	36,5	19	30	22
	AH NW 13 S 08	S	PN 400	16	12	M 24 x 1.5	M 20 x 1.5	38,5	22	30	24
	AH NW 13 S 10	S	PN 400	16	14	M 24 x 1.5	M 22 x 1.5	40,0	24	30	27
	AH NW 16 S 03	S	PN 400	20	6	M 30 x 2	M 14 x 1.5	42,0	22	36	17
	AH NW 16 S 04	S	PN 400	20	8	M 30 x 2	M 16 x 1.5	42,0	22	36	19
	AH NW 16 S 06	S	PN 400	20	10	M 30 x 2	M 18 x 1.5	41,5	22	36	22
	AH NW 16 S 08	S	PN 400	20	12	M 30 x 2	M 20 x 1.5	43,5	22	36	24
	AH NW 16 S 10	S	PN 400	20	14	M 30 x 2	M 22 x 1.5	45,0	24	36	27
	AH NW 16 S 13	S	PN 400	20	16	M 30 x 2	M 24 x 1.5	44,5	27	36	30
	AH NW 20 S 03	S	PN 400	25	6	M 36 x 2	M 14 x 1.5	44,0	27	46	17
	AH NW 20 S 04	S	PN 400	25	8	M 36 x 2	M 16 x 1.5	44,0	27	46	19
	AH NW 20 S 06	S	PN 400	25	10	M 36 x 2	M 18 x 1.5	43,5	27	46	22
	AH NW 20 S 08	S	PN 400	25	12	M 36 x 2	M 20 x 1.5	45,5	27	46	24
	AH NW 20 S 10	S	PN 400	25	14	M 36 x 2	M 22 x 1.5	47,0	27	46	27
	AH NW 20 S 13	S	PN 400	25	16	M 36 x 2	M 24 x 1.5	46,5	27	46	30
	AH NW 20 S 16	S	PN 400	25	20	M 36 x 2	M 30 x 2	48,5	32	46	36
	AH NW 25 S 03	S	PN 400	30	6	M 42 x 2	M 14 x 1.5	52,0	32	50	17
	AH NW 25 S 04	S	PN 400	30	8	M 42 x 2	M 16 x 1.5	52,0	32	50	19
	AH NW 25 S 06	S	PN 400	30	10	M 42 x 2	M 18 x 1.5	51,5	32	50	22
	AH NW 25 S 08	S	PN 400	30	12	M 42 x 2	M 20 x 1.5	51,5	32	50	24
	AH NW 25 S 10	S	PN 400	30	14	M 42 x 2	M 22 x 1.5	53,0	32	50	27
	AH NW 25 S 13	S	PN 400	30	16	M 42 x 2	M 24 x 1.5	52,5	32	50	30
	AH NW 25 S 16	S	PN 400	30	20	M 42 x 2	M 30 x 2	54,5	32	50	36
	AH NW 25 S 20	S	PN 400	30	25	M 42 x 2	M 36 x 2	57,0	41	50	46
	AH NW 32 S 03	S	PN 315	38	6	M 52 x 2	M 14 x 1.5	55,0	41	60	17
	AH NW 32 S 04	S	PN 315	38	8	M 52 x 2	M 16 x 1.5	55,0	41	60	19
	AH NW 32 S 06	S	PN 315	38	10	M 52 x 2	M 18 x 1.5	54,5	41	60	22
	AH NW 32 S 08	S	PN 315	38	12	M 52 x 2	M 20 x 1.5	54,5	41	60	24
	AH NW 32 S 10	S	PN 315	38	14	M 52 x 2	M 22 x 1.5	56,0	41	60	27
	AH NW 32 S 13	S	PN 315	38	16	M 52 x 2	M 24 x 1.5	55,5	41	60	30



Item										
Identification	Series	Operating pressure	Ø d1 (mm)	Ø d2 (mm)	G1	G2	L2 (mm)	AF (mm)	S1	S2
AH NW 32 S 16	S	PN 315	38	20	M 52 x 2	M 30 x 2	57,5	41	60	36
AH NW 32 S 20	S	PN 315	38	25	M 52 x 2	M 36 x 2	60,0	41	60	46
AH NW 32 S 25	S	PN 315	38	30	M 52 x 2	M 42 x 2	60,5	46	60	50
AH NW 13 S 13 L	S / L	PN 400	16	15	M 24 x 1.5	M 22 x 1.5	39,5	22	30	27
AH NW 13 S 16 L	S / L	PN 315	16	18	M 24 x 1.5	M 26 x 1.5	39,5	22	30	32
AH NW 16 S 13 L	S / L	PN 400	20	15	M 30 x 2	M 22 x 1.5	43,5	24	36	27
AH NW 16 S 16 L	S / L	PN 315	20	18	M 30 x 2	M 26 x 1.5	43,5	24	36	27
AH NW 20 S 20 L	S / L	PN 250	25	22	M 36 x 2	M 30 x 2	48,0	27	46	36
AH NW 20 S 16 L	S / L	PN 400	25	18	M 36 x 2	M 26 x 1.5	48,0	27	46	36
AH NW 25 S 25 L	S / L	PN 250	30	28	M 42 x 2	M 36 x 2	56,0	41	50	41

Series: LL = Very light L = Light S = Heavy - PN = Nominal pressure PB = Max. operating pressure - Ø d1 = External pipe diameter - Ø d2 = External pipe diameter

Product versions

AH MG	Reducing fitting, Socket with union nut and cutting ring
AH VA	Reducing fitting, Socket with union nut and cutting ring
XAH	Reducing fitting, pre-assembled